

*If Its Moped Parts It's Us!*  
**MARINA MOBILI**

**MO** **PED** **MA** **RT**

ACCESSORIES, MOPEDS, PARTS & MOTORS



**MARINA MOBILI, INC.**

*Exporters/Importers/Distributors*

146 West Commercial Avenue  
P.O. Box 347  
Moonachie, N.J. 07074-1794 U.S.A.

Telephone: (201) 438-5700  
Telex: 133496-MMöbili Moon



**MARINA MOBILI INC.**

IMPORTERS and DISTRIBUTORS

148 West Commerical Ave.  
Moonachie, N.J. 07074 USA

**201 438-5700**

Telex# 133498/MMobli-Moon

---

**MOPED PARTS  
ANSWER  
BOOK**

---

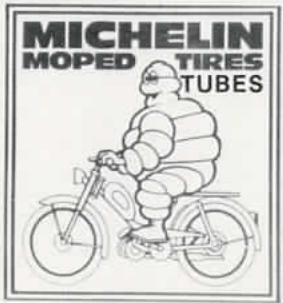


WESTERN HEMISPHERE EXCLUSIVE  
IMPORTER FOR NEGRINI PRODUCTS



**BOSCH  
Spark Plugs**

**ACCESSORIES & MUCH MORE!**





146 West Commercial Avenue  
P.O. Box 347  
Moonachie, N.J. 07074-1794  
U.S.A.

Tel. (201) 438-5700  
Telex # 133496/MMobil - Moon

### 1984 MOPED PARTS & PRICE LISTS

In an attempt to standardize certain basic components common to numerous brands of cycles, we have in many instances, within the parts lists, referred the user to another section of the catalogue. In the long run, this will aid in establishing a universal system for moped parts, assisting both our dealers and ourselves in keeping inventories down to a minimum.

Diagrams have been presented where possible, to aid the user in locating the required parts. Use of PART NUMBERS will greatly expedite your shipments and prevent any misunderstandings. Note: In cases where the reference number is the same as the part number, the price of the item will appear just to the right of the part number. In cases where the reference number and the part number differ, the price of the item may be found by referring to the section noted in the price column, and then to the appropriate PART NUMBER.

### ORDERING INFORMATION

Please make use of PART NUMBERS. This will save you time and phone calls.

Orders may be submitted in writing or by telephone.

Send orders in writing to: Marina Mobili, Inc.  
P.O. Box 347  
146 W Commercial Avenue  
Moonachie, New Jersey 07074-1794

or call our office Monday through Friday, 8:30 AM - 5:30 PM EDST

(201) 438-5700

- Collect calls will not be accepted. -

Most orders are shipped within 24 hours of receipt of order.  
Unless specified, orders will be shipped via UPS or best way.

All prices (F.O.B. Marina Mobili warehouses), specifications and availability subject to change without prior written notice.

Marina Mobili, Inc. is not responsible for typographical errors within.



146 West Commercial Avenue  
P.O. Box 347  
Moonachie, N.J. 07074-1794  
U.S.A.

Tel. (201) 438-5700  
Telex # 133496/MMobil - M

TERMS AND CONDITIONS OF SALE

**TERMS:** All orders will be shipped COD. All orders over \$1000.00 (\$1300.00 in sale merchandise) will be shipped freight prepaid within the continental United States. Any account that has a check returned will automatically be placed on a COD 'CASH ONLY' basis. There will be a \$7.00 Service Charge for each check returned. Any account that does not accept delivery of ordered merchandise will be put on a 'Prepayment by Certified Check' status.

**CASH DISCOUNTS:** All published dealer prices are already net of our 2% cash discount.

**BACK ORDERS:** Items which appear as back ordered will not automatically be shipped unless specifically requested by the customer. MMI retains back order records for a period of 90 days. Customers will be notified of a back ordered part coming back into stock if the back order occurred within the 90 day period.

**DELIVERY:** Parts orders, in most cases, will be filled within 24 hours after they are received by Marina Mobili, Inc. All parts are shipped FOB Marina Mobili warehouses.

**CLAIMS:** Title to all merchandise passes to the customer upon delivery to the common carrier. All merchandise is packed so that it will arrive in good condition. Delivery of the merchandise in good condition is the responsibility of the carrier. All claims for damaged or missing parts must be filed with the carrier immediately.

**RETURNS:** Marina Mobili, Inc. will not accept goods for credit without prior written request. All freight charges must be prepaid on returns and insured for your protection. Any parts accepted for credit must be in new condition and in the original containers. All returns will be credited to your parts account at your cost, less a 15% restocking charge, unless Marina Mobili was at fault.

**MINIMUM ORDERS:** There will be a \$3.00 Service and Handling Charge on each order totaling less than \$15.00 in merchandise.

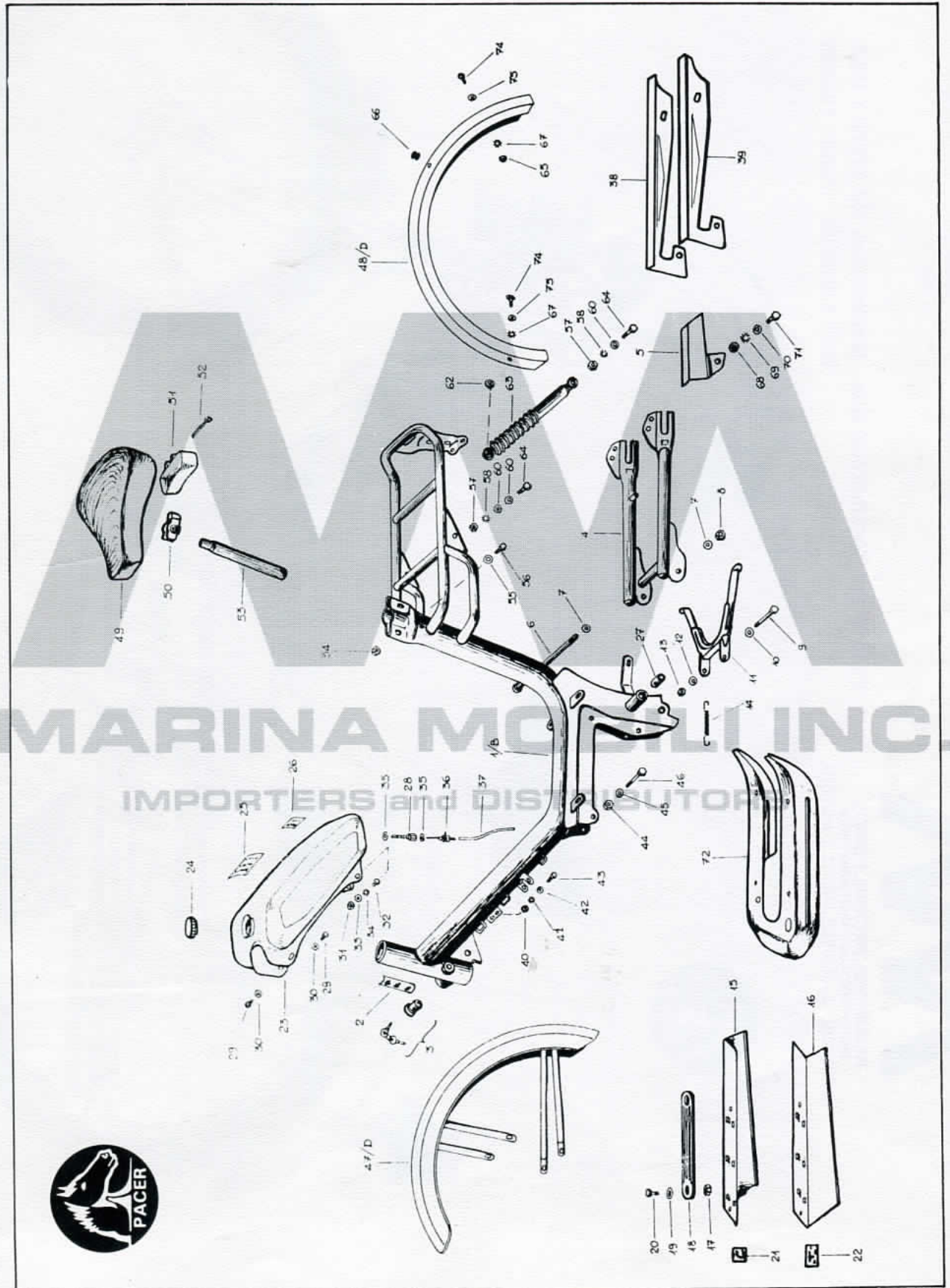
**N.J. STATE SALES TAX:** A New Jersey State Resale Tax Certificate for all New Jersey dealers must be on file with Marina Mobili, Inc. or you must pay the sales tax. This certificate will be sent to you upon request and must be properly completed and promptly sent to Marina Mobili, Inc. If not returned, tax will be charged on all subsequent orders.

MARINA MOBILI, INC. Reserves the right to limit the supply of any merchandise. We reserve the right to alter prices and/or specifications without prior notice.



**MARINA MOBILI INC.**  
IMPORTERS and DISTRIBUTORS  
ACCESSORIES, MOPEDS, PARTS & MOTORS

146 West Commercial Ave., Moonachie, NJ 07074 • USA  
(201) 438-5700 Telex: 133496





**MARINA MOBILI INC.**  
IMPORTERS and DISTRIBUTORS

ACCESSORIES, MOPEDS, PARTS & MOTORS

146 West Commercial Ave., Moonachie, NJ 07074 • USA  
(201) 438-5700 Telex: 133496





**MARINA MOBILI INC.**  
 IMPORTERS and DISTRIBUTORS  
 ACCESSORIES, MOPEDS, PARTS & MOTORS



**(201) 438-5700**

Diagram	Part #	Description	Retail
1	P11N	Frame - Pressed steel	
1	P11D	Frame - tubular steel	
2	N/A	Decal	
3	H74B	Fork lock	
N/S	H74C	Key blank	
N/S	H74S	Screw for lock	
4	P14	Swing arm	
5	P15	Chain cover	
6	P16	Swing arm spindle	
7	H98	Washer for spindle	
8	H98A	Nut for spindle	
9	H90	Kickstand spindle	
10	P110	Washer for spindle	
11	P111	Kickstand	
12	P110	Washer for spindle	
13	H94	Nut for spindle	
14	H93	Kickstand spring	
15	P115	RH footrest	
16	P116	LH footrest	
17	H87A	8mm nut for footrest	
18	P118	Footrest rubber	
19	H88	8mm flat washer	
20	H87	8x16mm bolt	
21	N/A	Decal	
22	N/A	Decal	
23	P123	Gas tank - plug style	
23	P123A	Gas tank - screw style	
24	H72P	Plug style gas cap	
24	H72A	Screw style gas cap	
25	N/A	Decal	
26	N/A	Decal	
27	P127	Bushing	
28	P128	Fuel valve extender	
29	H89	6x12mm bolt	
30	H105	6mm flat washer	
31	H104A	6mm nut	
32	H104	6x16mm bolt	
33	P133	Flatwasher	
34	H10B	6mm lockwasher	
35	H83A	Fuel valve gasket	
36	P136	Fuel valve	
37	A17/1	Fuel line	
N/S	P138	Decal set Pacer contains:	
	P121	Large Pacer Decal	
	P125	Small Pacer Decal	
	P122	Horse head decal	
	P139	Checkered decal	

H-53

(ALL PRICES ARE F.O.B. MARINA MOBILI WAREHOUSE)  
 ALL PRICES, SPECIFICATIONS AND AVAILABILITY SUBJECT TO CHANGE WITHOUT NOTICE





**MARINA MOBILI INC.**  
IMPORTERS and DISTRIBUTORS

ACCESSORIES, MOPEDS, PARTS & MOTORS



(201) 438-5700

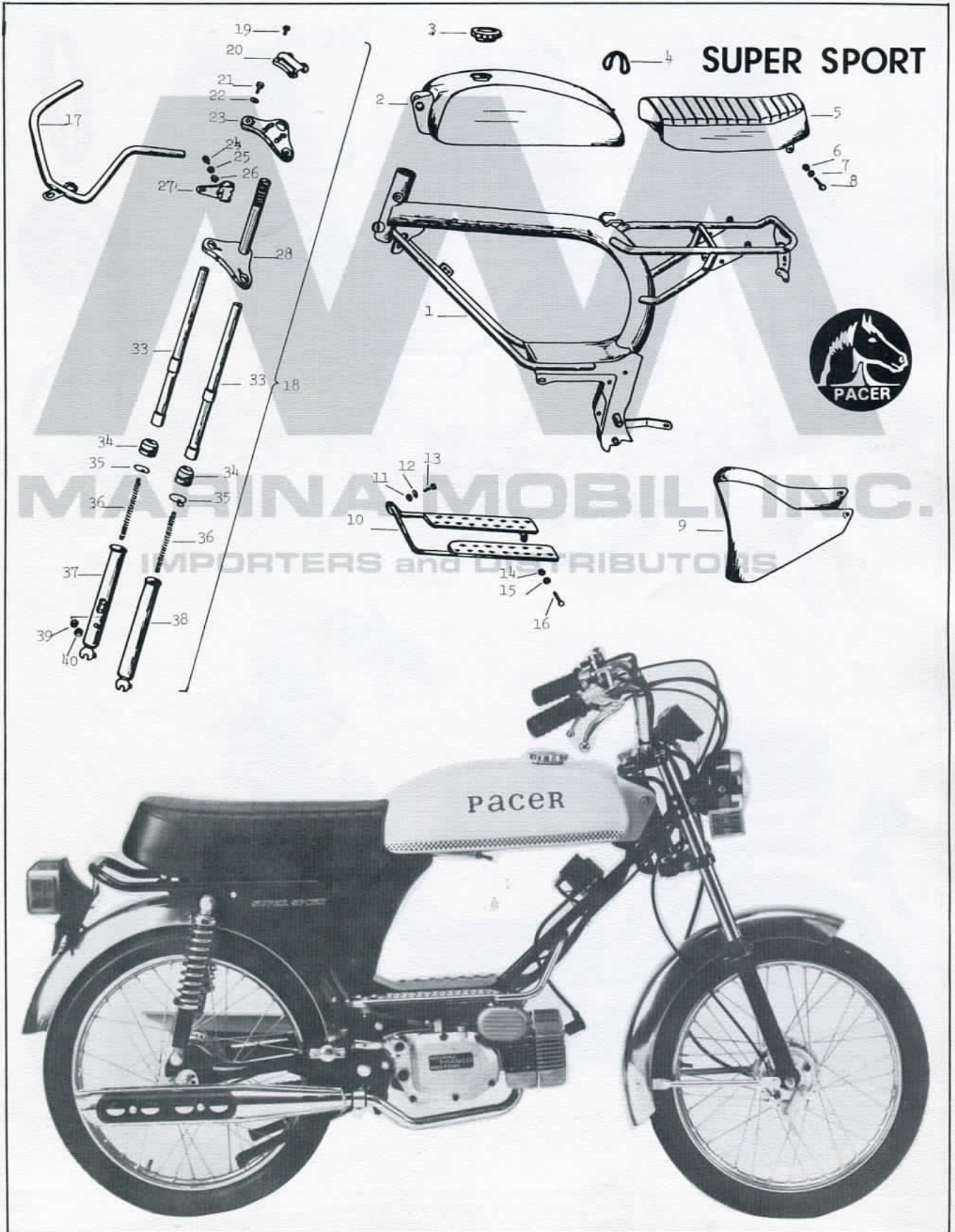
Diagram	Part #	Description	Retail
38	P15A	RH chain cover	
39	P15B	LH chain cover	
40	H104A	6mm nut	
41	H10B	6mm lockwasher	
42	H105	6mm flat washer	
43	H44	6x25mm bolt	
44	H87A	8mm nut	
45	H88	8mm flat washer	
46	H99	8x80mm engine mount bolt	
46	P146A	8x55mm engine mount bolt	
47/D	P147D	Inox front fender	
N/S	P147N	Painted front fender	
48/D	P148D	Inox rear fender	
N/S	P148N	Painted rear fender	
49	P149	Saddle	
49	P149A	Saddle (2 speed models)	
50	H70B	Saddle clamp	
51	H71A	Tool box	
51	H71	Tool bag	
52	P152	Tool box clamp	
53	P153	Seat post	
54	H87A	8mm nut	
55	H88	8mm flat washer	
56	P156	8x20 mm bolt	
57	P157	10mm nut	
58	P158	10mm lockwasher	
59	P159	Spacer	
60	P110	10mm flatwasher	
62	P162	Bushing w/ grommets	
63	P163D	Chrome shock absorber	
N/S	P163N	Shock absorber	
64	P161	10x50mm shock bolt	
64	H108	10x35mm shock bolt	
65	H104A	6mm nut	
67	H10B	6mm lockwasher	
68	H87A	8mm nut	
69	H88A	8mm lockwasher	
70	H88	8mm flatwasher	
71	H87	8x16mm bolt	
72	P115F	Laser footrest	
N/S	P173	Tailamp bracket (old)	
74	H104	6x16mm bolt	
75	H105	6mm flatwasher	

(ALL PRICES ARE F.O.B. MARINA MOBILI WAREHOUSE)  
ALL PRICES, SPECIFICATIONS AND AVAILABILITY SUBJECT TO CHANGE WITHOUT NOTICE



**MARINA MOBILI INC.**  
IMPORTERS and DISTRIBUTORS  
ACCESSORIES, MOPEDS, PARTS & MOTORS

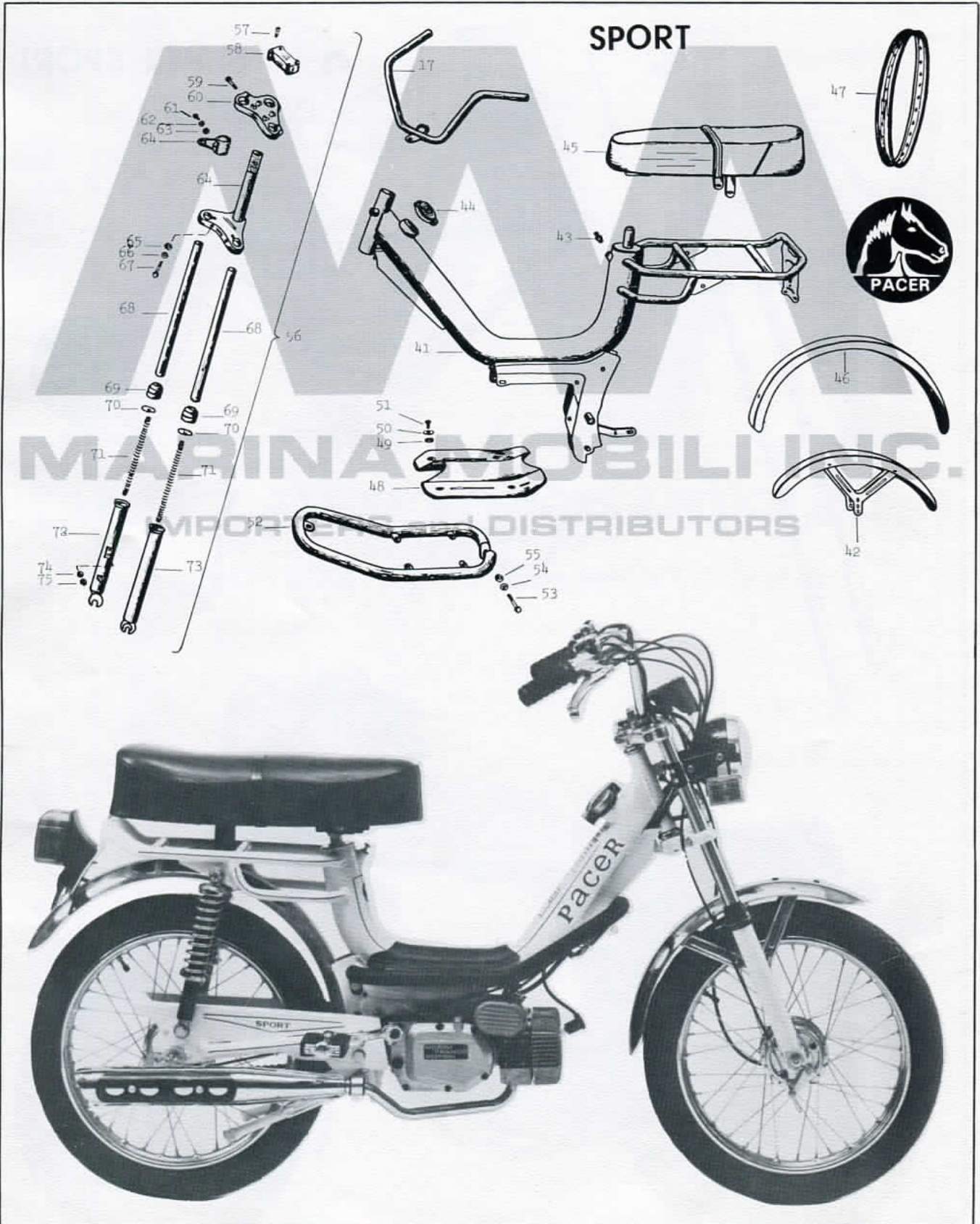
146 West Commercial Ave., Moonachie, NJ 07074 • USA  
(201) 438-5700 Telex: 133496





**MARINA MOBILI INC.**  
IMPORTERS and DISTRIBUTORS  
ACCESSORIES, MOPEDS, PARTS & MOTORS

146 West Commercial Ave., Moonachie, NJ 07074 • USA  
(201) 438-5700 Telex: 133496



(ALL PRICES ARE F.O.B. MARINA MOBILI WAREHOUSE)  
ALL PRICES, SPECIFICATIONS AND AVAILABILITY SUBJECT TO CHANGE WITHOUT NOTICE

H-56



**MARINA MOBILI INC.**  
IMPORTERS and DISTRIBUTORS

ACCESSORIES, MOPEDS, PARTS & MOTORS



**(201) 438-5700**

Diagram	Part #	Description	Retail
1	P11M	Frame - super sport	
2	P123C	Gas tank	
3	H-72MX	Gas cap	
4	P181	Rubber fastener	
5	P149C	Saddle	
6	H-104A	6 mm. nut	
7	H-105	6 mm. flat washer	
8	H-104	6x16 mm. bolt	
9	P182	Frame skirt	
10	P115C	Footrest	
11	H-87A	8 mm. nut	
12	H-88	8 mm. flat washer	
13	H-87	8x16 mm. bolt	
14	H-87A	8 mm. nut	
15	H-88	8 mm. flat washer	
16	H-99	8x80 mm. bolt	
17	P423B	Handlebar	
18	P41D	Fork assembly	
19	P411	Handlebar support bolt	
20	P410	Handlebar support bracket	
21	P49A	10 mm. fork plate bolt	
22	P110	10 mm. flat washer	
23	P47D	Fork top plate	
24	H-104	6x16 mm. bolt	
25	H-105	6 mm. flat washer	
26	H-104A	6 mm. nut	
27	P312	Headlamp bracket	
28	P42D	Fork bare top	
33	P44D	Fork tube	
34	P455	Rubber boot	
35	P456	Clamp ring	
36	P43D	Fork spring	
37	P45D	Right fork leg	
38	P46D	Left fork leg	
39	H-105	6 mm. flat washer	
40	H-104A	6 mm. nut	
N/S	P15B	Chain guard	
N/S	P136C	Fuel valve	
41	P11T	Frame - sport	
42	P147B	Front fender	
43	P176	Tank relief valve	
44	H-72H	Gas cap	
45	P149B	Saddle	
N/S	P153S	Short seat bracket	
N/S	P153L	Long seat bracket	
46	P148B	Rear fender	
47	H-45B	Wheel rim	

(ALL PRICES ARE F.O.B. MARINA MOBILI WAREHOUSE)  
ALL PRICES, SPECIFICATIONS AND AVAILABILITY SUBJECT TO CHANGE WITHOUT NOTICE



**MARINA MOBILI INC.**  
IMPORTERS and DISTRIBUTORS  
ACCESSORIES, MOPEDS, PARTS & MOTORS



**(201) 438-5700**

Diagram	Part #	Description	Retail
48	P115B	Footrest plate	
49	H-104A	6 mm. nut	
50	P133	6 mm. flat washer	
51	P177	6x12 mm. screw	
52	P178	Crashbar	
53	H-99	8x80 mm. bolt	
54	H-88	8 mm. flat washer	
55	H-87A	8 mm. nut	
56	P41B	Fork assembly	
57	H-17	Handlebar support bolt	
58	P410A	Handlebar support bracket	
59	H-73E	7x30 mm. bolt	
60	P47B	Fork top plate	
61	H-104	6x16 mm. bolt	
62	H-105	6 mm. flat washer	
63	H-104A	6 mm. nut	
64	P42B	Fork bare top	
65	H-87A	8 mm. nut	
66	H-88	8 mm. flat washer	
67	P146A	8x55 mm. bolt	
68	P44B	Fork tube	
69	P455	Rubber boot	
70	P456	Clamp ring	
71	P43B	Fork spring	
72	P45B	Right fork leg	
73	P46B	Left fork leg	
74	H-105	6 mm. flat washer	
75	H-104A	6 mm. nut	
N/S	P15A	Right chain cover	
N/S	P15B	Left chain cover	

(ALL PRICES ARE F.O.B. MARINA MOBILI WAREHOUSE)  
ALL PRICES, SPECIFICATIONS AND AVAILABILITY SUBJECT TO CHANGE WITHOUT NOTICE

# NEGRINI

WESTERN HEMISPHERE EXCLUSIVE IMPORTER FOR NEGRINI PRODUCTS

# MORINI M-1 ENGINE

(with Reed Valve - 2% mixture)



AUTHORIZED IMPORTERS

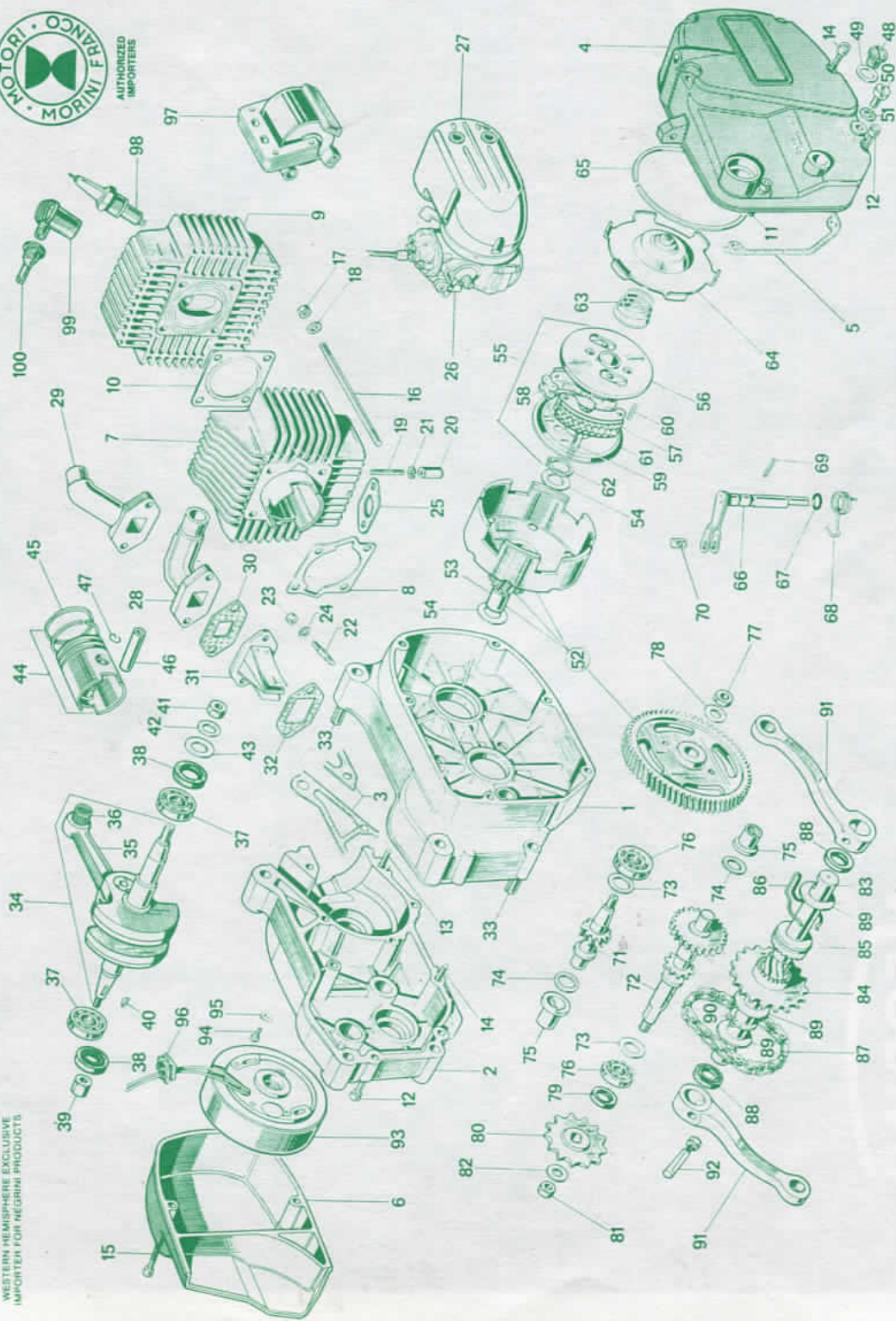
# MM

MARINA MOBILI INC.  
IMPORTERS and DISTRIBUTORS  
148 West Commercial Ave.  
Moonachie, N.J. 07074 USA

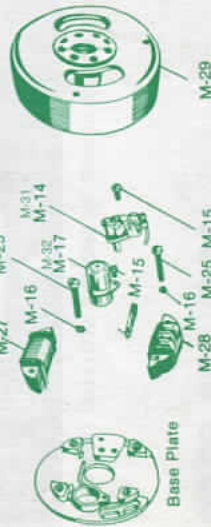
# 201 438-5700

Telex# 133498/MMobil-Moon

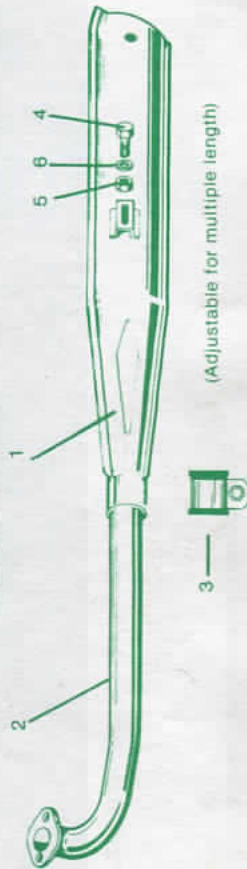
CARBURETOR,  
DELLORTO S.H.A. 14-12



## MAGNETO, DANSI / BOSCH



## EXHAUST SYSTEM



## SPECIAL TOOLS

140500 Morini Tool Kit





AUTHORIZED  
IMPORTERS

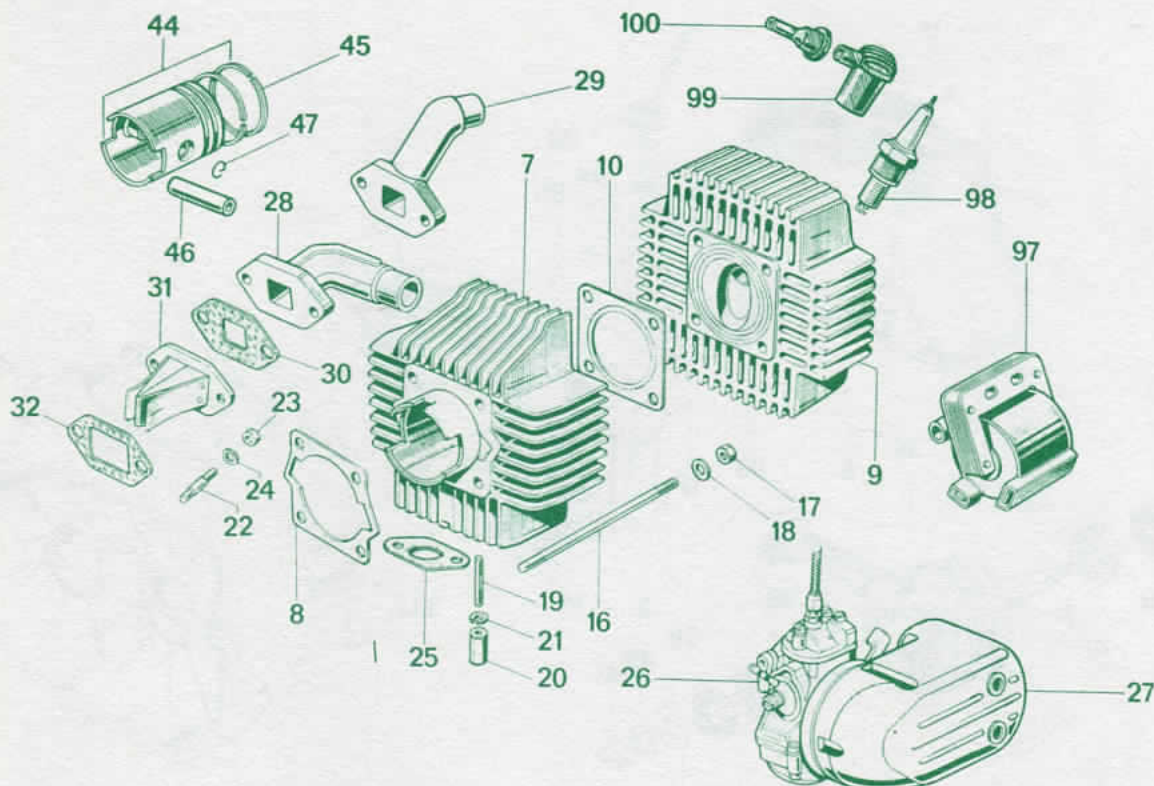
# CYLINDER, CYLINDER HEAD

(M-1 Engine with Reed Valve - 2% mixture)



WESTERN HEMISPHERE EXCLUSIVE  
IMPORTER FOR NEGRINI PRODUCTS

Note: Factory does **not** recommend synthetic oil for M-1 Engine.



Illus. No.	Part No.	Quantity Needed	Description	Illus. No.	Part No.	Quantity Needed	Description
7	122061	1	Aluminum Cyl.	28	251050	1	Manifold, Intake, Side
8	164030	1	Cyl. Base Gasket	29	251051	1	Manifold, Intake, Forward
9	275019	1	Cyl. Head	30	164103	1	Intake Gasket (Upper)
10	164032	1	Head Gasket	31	290501	1	Reed Valve
16	235001	4	Stud, Cyl.	32	164106	1	Gasket, Reed Valve
17	131001	4	Nut, Cyl. Stud	44	231025	1	Piston, Complete, 40.4MM
18	254001	4	Washer, Cyl. Head Nut		231026	1	Piston, Oversize, Complete 40.6MM - 40.8MM
19	235014	2	Stud, Exhaust Flange	45	261045	2	Piston Ring, 40.4MM
20	133023	2	Nut, Exhaust Stud		261045	2	Piston Ring, 0/size-40.6MM- 40.8MM
21	254013	2	Washer, Exhaust Stud Nut	46	268001	1	Wrist Pin
22	235021	2	Stud Manifold	47	104001	2	Wrist Pin Clip
23	131004	2	Nut, Manifold Stud	97	118007	1	Ignition Coil
24	254001	2	Washer	98	127076	1	Bosch Spark Plug
25	164093	1	Exhaust Flange Gasket	99	237001	1	Spark Plug Cap
26	120108	1	Carburetor	100	163004	1	Cover Plug Cap
27	150030	1	Air Filter Cover				



**MARINA MOBILI INC.**

Exclusive Importers of Negrini Products

ALL PRICES, SPECIFICATIONS AND AVAILABILITY SUBJECT TO CHANGE WITHOUT NOTICE.  
ALL PRICES ARE F.O.B. MARINA MOBILI WAREHOUSE. SEE DEALER TERMS & CONDITIONS.  
146 West Commercial Avenue • Moonachie, New Jersey 07074  
Tel. 201-438-5700 Telex # 133496/MMobili-Moon USA

PLEASE INQUIRE ABOUT QUANTITY DISCOUNTS.



AUTHORIZED  
IMPORTERS

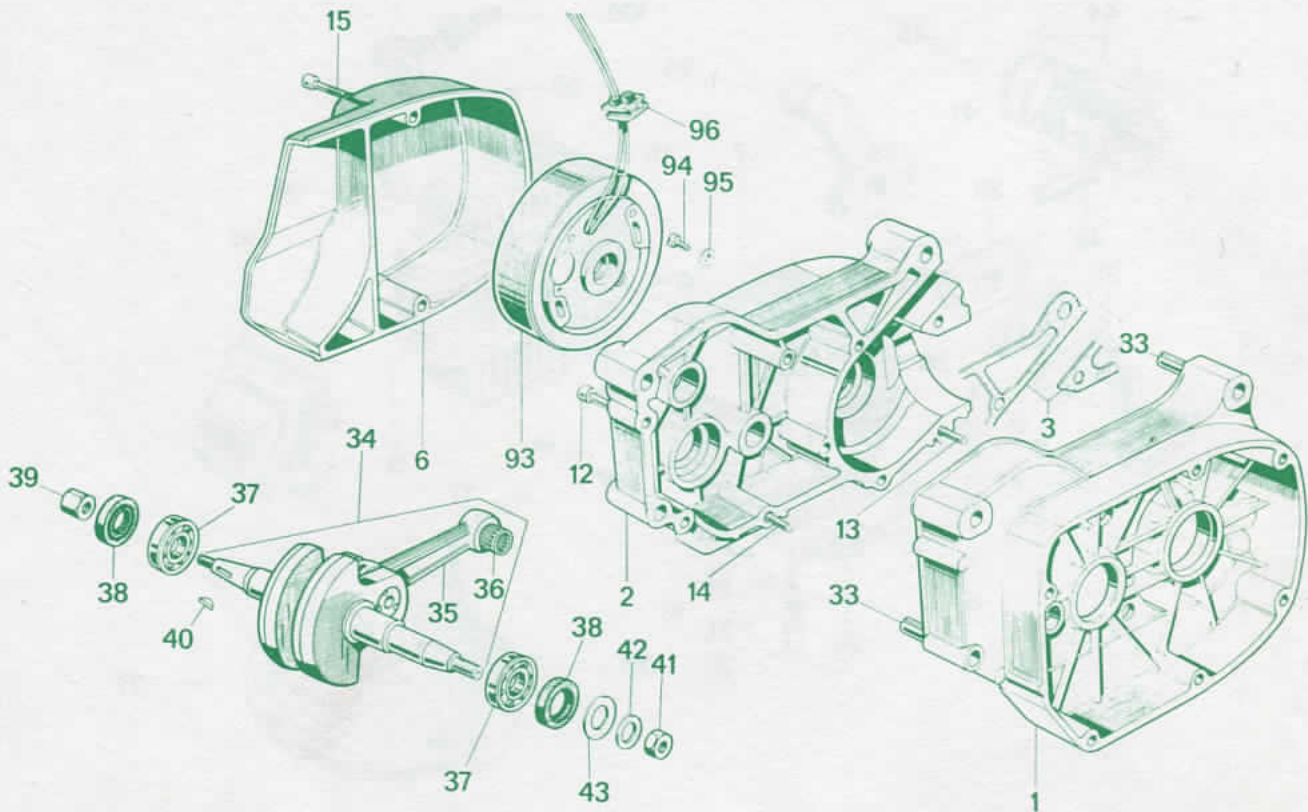
# CRANKCASE CRANKSHAFT

(M-1 Engine with Reed Valve - 2% mixture)



WESTERN HEMISPHERE EXCLUSIVE  
IMPORTER FOR NEGRINI PRODUCTS

Note: Factory does **not** recommend synthetic oil for M-1 Engine.



Illus. No.	Part No.	Quantity Needed	Description
1	265086	1	Half Case-(R) — Clutch Side
2	265087	1	Half Case-(L) — Flywheel Side
3	164104	1	Case Gasket
6	124083	1	Flywheel Mag Cover
12	291988	1	Bolt, Left 1/2 Case
13	291987	2	Bolt, Right 1/2 Case
14	291990	11	Bolt, Clutch Cover
15	291991	2	Bolt, Flywheel Cover
33	167005	2	Dowel Pin
34	100015	1	Crankshaft
35	110015	1	Connecting Rod

Illus. No.	Part No.	Quantity Needed	Description
36	161005	1	Wrist Pin Race
37	126001	2	Bearing, Crankshaft
38	106001	2	Seal, Crankshaft
39	133007	1	Nut, Magneto
40	127025	1	Flywheel Key
41	131003	1	Nut, Clutch Assembly
42	254018	1	Washer, Clutch Assembly
43	254005	1	Washer, Clutch Assembly
93	290039	1	Dansi Mag. Assembly
	290045		Bosch Mag. Assembly
94	296022	2	Screw, Mag. Back Plate
95	254070	2	Washer, Mag. Screw
96	163022	1	Grommet, Mag. Wire

**MM**  
**MARINA MOBILI INC.**  
Exclusive Importers of Negrini Products

ALL PRICES, SPECIFICATIONS AND AVAILABILITY SUBJECT TO CHANGE WITHOUT NOTICE.  
ALL PRICES ARE F.O.B. MARINA MOBILI WAREHOUSE. SEE DEALER TERMS & CONDITIONS.  
146 West Commercial Avenue • Moonachie, New Jersey 07074  
Tel. 201-438-5700      Telex # 133496/MMobili-Moon USA

PLEASE INQUIRE ABOUT QUANTITY DISCOUNTS.





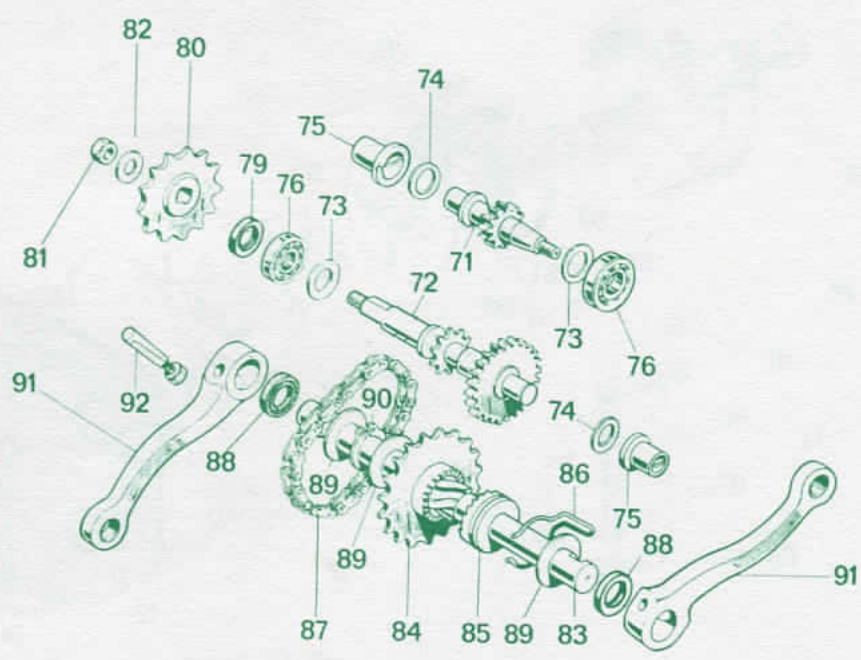
AUTHORIZED IMPORTERS

# TRANSMISSION

(M-1 Engine with Reed Valve - 2% mixture)



WESTERN HEMISPHERE EXCLUSIVE IMPORTER FOR NEGRINI PRODUCTS



Illus. No.	Part No.	Quantity Needed	Description	Illus. No.	Part No.	Quantity Needed	Description
71	101087	1	Primary Gear Shaft	83	101020	1	Pedal Shaft
72	101088	1	Secondary Gear Shaft	84	232543	1	Pedal Sprocket (17 Teeth)
73	254005	2	Washer, Gear Shafts	85	206001	1	Primary Drive Hub
74	254040	2	Washer, Gear Shafts	86	201015	1	Spring, Pedal Shaft
75	115003	2	Bushings, Gear Shafts	87	127016	1	Chain, Pedal Shaft
76	126002	2	Bearing, Gear Shafts	88	106004	2	Seal, Pedal Shaft
79	106008	1	Seal, Secondary Shaft	89	254007	3	Washer, Pedal Shaft
80	232534	1	Chain Sprocket (13 Teeth)	90	105005	1	Clip Pedal Shaft
81	131002	1	Nut, Secondary Gear	91	237002D	1	Pedal Arm, Right
82	254002	1	Washer, Secondary Gear	91	237002S	1	Pedal Arm, Left
				92	127017	2	Pedal Pin



ALL PRICES, SPECIFICATIONS AND AVAILABILITY SUBJECT TO CHANGE WITHOUT NOTICE.  
 ALL PRICES ARE F.O.B. MARINA MOBILI WAREHOUSE. SEE DEALER TERMS & CONDITIONS.  
 146 West Commercial Avenue • Moonachie, New Jersey 07074  
 Tel. 201-438-5700 Telex # 133496/MMobili-Moon USA

PLEASE INQUIRE ABOUT QUANTITY DISCOUNTS.



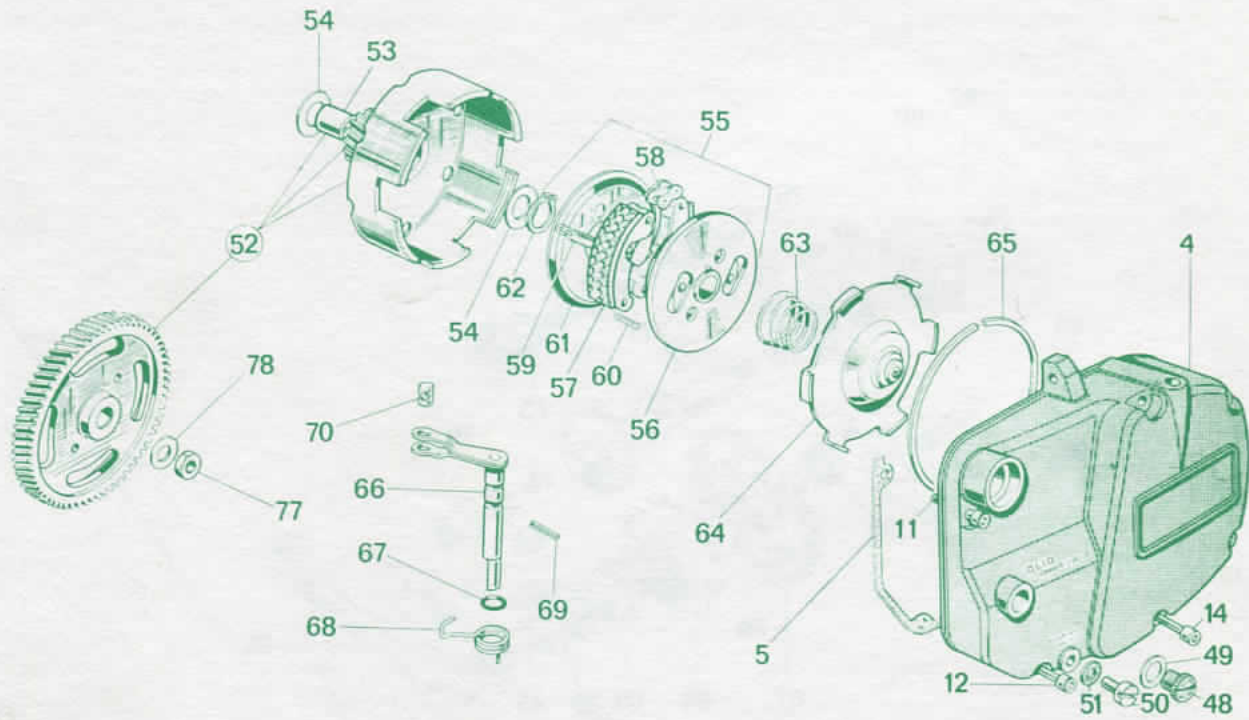
AUTHORIZED IMPORTERS

# CLUTCH

(M-1 Engine with Reed Valve - 2% mixture)



WESTERN HEMISPHERE EXCLUSIVE IMPORTER FOR NEGRINI PRODUCTS



Illus. No.	Part No.	Quantity Needed	Description	Illus. No.	Part No.	Quantity Needed	Description
4	124084	1	Clutch Cover	57	127020	2	Clutch Shoe
5	164105	1	Clutch Cover Gasket	58	127021	2	Link, Clutch Joint
11	291986	1	Bolt, Clutch Cover	59	201033	2	Spring, Clutch Shoe
12	291988	1	Bolt, Left 1/2 Case	60	257002	4	Pin, Clutch Shoe
14	291990	11	Bolt, Clutch Cover	61	135031	1	Clutch Back Plate
48	273007	1	Plug, Oil Filler	62	105009	1	Snap Ring Gear Shaft
49	164026	1	Gasket, Oil Filler Plug	63	201019	1	Spring, Pressure Plate
50	291182	1	Plug, Oil Drain	64	127022	1	Clutch Pressure Plate
51	164008	1	Gasket, Oil Drain Plug	65	104006	1	Clip, Pressure Plate
52	270043	1	Drum with Gears	66	190004	1	Clutch Lever
53	115010	1	Bushing, Clutch Drum	67	107002	1	Retainer Ring, Lever
54	254005	2	Washer	68	201018	1	Spring, Clutch Lever
55	200012	1	Clutch hub with shoes	69	268014	1	Pin, Clutch Lever
56	200003	1	Clutch, Hub	70	214002	1	Clutch Lever Trunion
				77	131003	1	Nut, Drive Gear
				78	254018	1	Washer, Drive Gear



ALL PRICES, SPECIFICATIONS AND AVAILABILITY SUBJECT TO CHANGE WITHOUT NOTICE.  
 ALL PRICES ARE F.O.B. MARINA MOBILI WAREHOUSE. SEE DEALER TERMS & CONDITIONS.  
 146 West Commercial Avenue • Moonachie, New Jersey 07074  
 Tel. 201-438-5700  
 Telex # 133496/MMobili-Moon USA

PLEASE INQUIRE ABOUT QUANTITY DISCOUNTS.



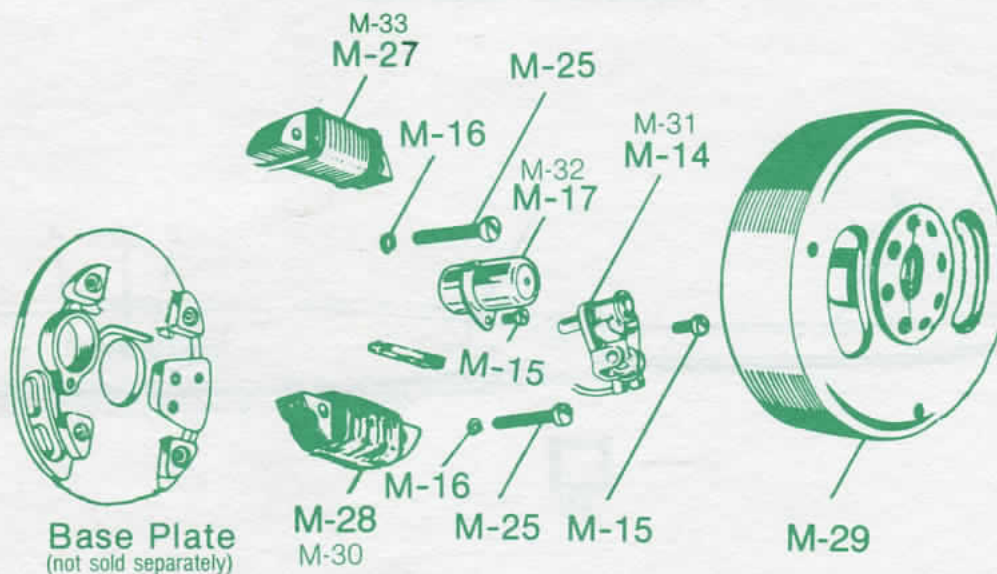
AUTHORIZED  
IMPORTERS

# MAGNETO, DANSI / BOSCH

(M-1 Engine with Reed Valve - 2% mixture)



WESTERN HEMISPHERE EXCLUSIVE  
IMPORTER FOR NEGRINI PRODUCTS



Illus. No.	Part No.	Quantity Needed	Description	Illus. No.	Part No.	Quantity Needed	Description
	290045	1	Magneto Assembly Complete		M-28	1	Lighting Coil/Dansi
	M-14	1	Breaker Points/CEV (Morini, Engine)		M-25	1	Screw, Light, Ignition Coils
	M-15	1	Locking Screw, Points		M-29	1	Flywheel
	M-16	1	Washer, Points Locking Screw		M-33	1	Ignition Coil/Bosch
	M-17	1	Condenser		M-30	1	Lighting Coil/Bosch
	M-27	1	Ignition Coil/Dansi		M-31	1	Breaker Points/Bosch
					M-32	1	Condenser/Bosch

Note: When ordering Magneto parts be sure to specify Dansi or Bosch.

**MM**  
**MARINA MOBILI INC.**  
Exclusive Importers of Negrini Products

ALL PRICES, SPECIFICATIONS AND AVAILABILITY SUBJECT TO CHANGE WITHOUT NOTICE.  
ALL PRICES ARE F.O.B. MARINA MOBILI WAREHOUSE. SEE DEALER TERMS & CONDITIONS.  
146 West Commercial Avenue • Moonachie, New Jersey 07074  
Tel. 201-438-5700 Telex # 133496/MMobili-Moon USA

PLEASE INQUIRE ABOUT QUANTITY DISCOUNTS.



AUTHORIZED  
IMPORTERS

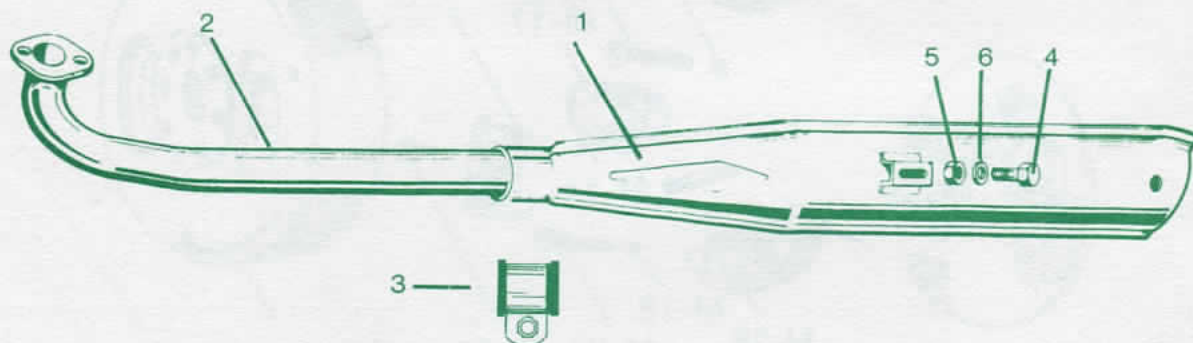
# EXHAUST SYSTEM

(M-1 Engine with Reed Valve - 2% mixture)



WESTERN HEMISPHERE EXCLUSIVE  
IMPORTER FOR NEGRINI PRODUCTS

(Adjustable for multiple length)



Illus. No.	Part No.	Quantity Needed	Description
	H-111	1	Muffler Assembly Complete
1	H-111A	1	Muffler Only
2	H-111B	1	Adjustable Down Pipe
3	H-111C	1	Clamp Assembly
4	H-111D	1	Bolt
5	H-111E	1	Nut
6	H-47-A	1	Washer

Note: Down pipe - H-111B has an overall length of 13" with a 7" adjustment range for use in other applications.

**MM**  
**MARINA MOBILI INC.**  
Exclusive Importers of Negrini Products

ALL PRICES, SPECIFICATIONS AND AVAILABILITY SUBJECT TO CHANGE WITHOUT NOTICE.  
ALL PRICES ARE F.O.B. MARINA MOBILI WAREHOUSE. SEE DEALER TERMS & CONDITIONS.  
146 West Commercial Avenue • Moonachie, New Jersey 07074  
Tel. 201-438-5700  
Telex # 133496/MMobili-Moon USA

PLEASE INQUIRE ABOUT QUANTITY DISCOUNTS.



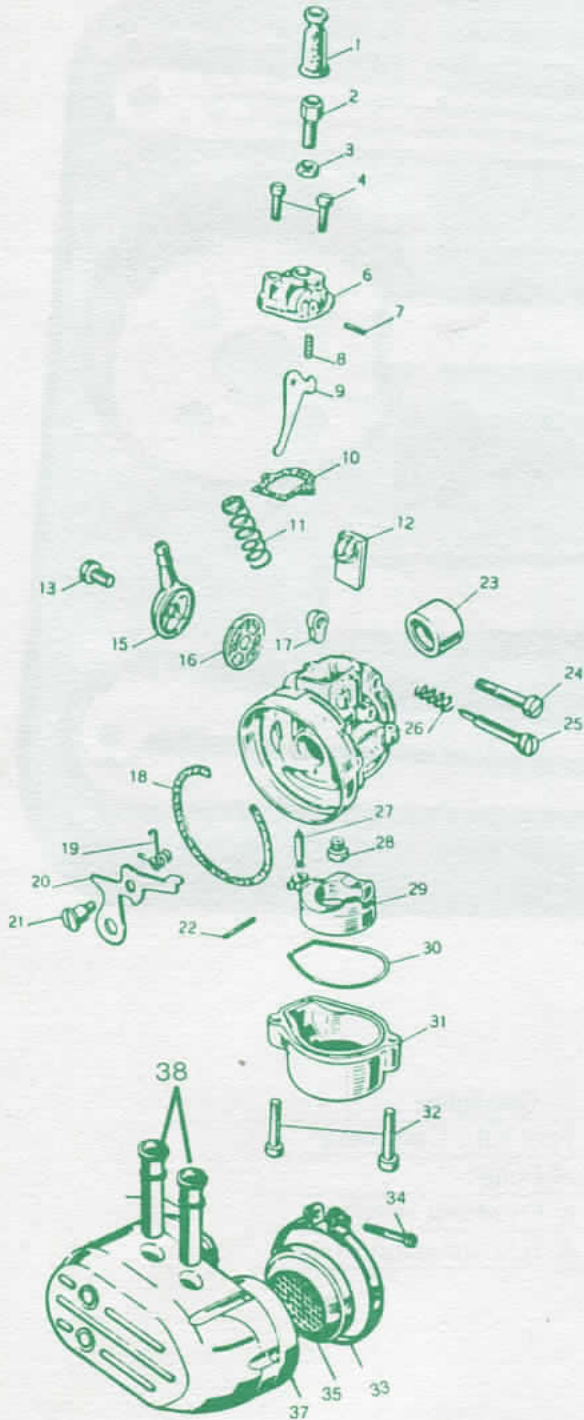
AUTHORIZED  
IMPORTERS

# CARBURETOR, DELLORTO S.H.A. 14-12

(M-1 Engine with Reed Valve - 2% mixture)



WESTERN HEMISPHERE EXCLUSIVE  
IMPORTER FOR NEGRINI PRODUCTS



Illus. No.	Part No.	Quantity Needed	Description
2	1104	1	Adjuster
1	1476	1	Boot
28	1486/47	1	#47 Main Jet
28	1486/48	1	#48 Main Jet
28	1486/50	1	#50 Main Jet
28	1486/52	1	#52 Main Jet — Standard M1
28	1486/54	1	#54 Main Jet
28	1486/56	1	#56 Main Jet
3	1691	1	Nut
27	2838	2	Float Needle
4	3318	1	Bolt
11	3346	1	Spring
32	3598	2	Bolt
26	3606	1	Spring
13	4190	1	Bolt
21	5417	1	Bolt
31	6107	1	Float Chamber
12	6108	1	Throttle Valve
16	6109	1	Fuel Filter
6	6110	1	Top Cover
10	6111	1	Gasket
9	6112	1	Lever
20	6114	1	Lever
7	6115	1	Pin
35	6117	1	Air Filter
29	6122	1	Float
30	6123	1	Seal
25	6140	1	Mix Needle
18	6159	1	Gasket
24	6305	1	Bolt
23	6448	1	Sleeve
19	7179	1	Spring
17	7427	1	Nut
22	8773	1	Float Hinge Pin
15	9249	1	Fuel Inlet Pipe
8	6259	1	Spring
38	5309	2	Tube
37	8602	1	Air Filter Cover
33	4611	1	Strap
34	4617	1	Bolt



**MARINA MOBILI INC.**

Exclusive Importers of Negrini Products

ALL PRICES, SPECIFICATIONS AND AVAILABILITY SUBJECT TO CHANGE WITHOUT NOTICE.  
ALL PRICES ARE F.O.B. MARINA MOBILI WAREHOUSE. SEE DEALER TERMS & CONDITIONS.  
146 West Commercial Avenue • Moonachie, New Jersey 07074

Tel. 201-438-5700

Telex # 133496/MMobili-Moon USA

PLEASE INQUIRE ABOUT QUANTITY DISCOUNTS.



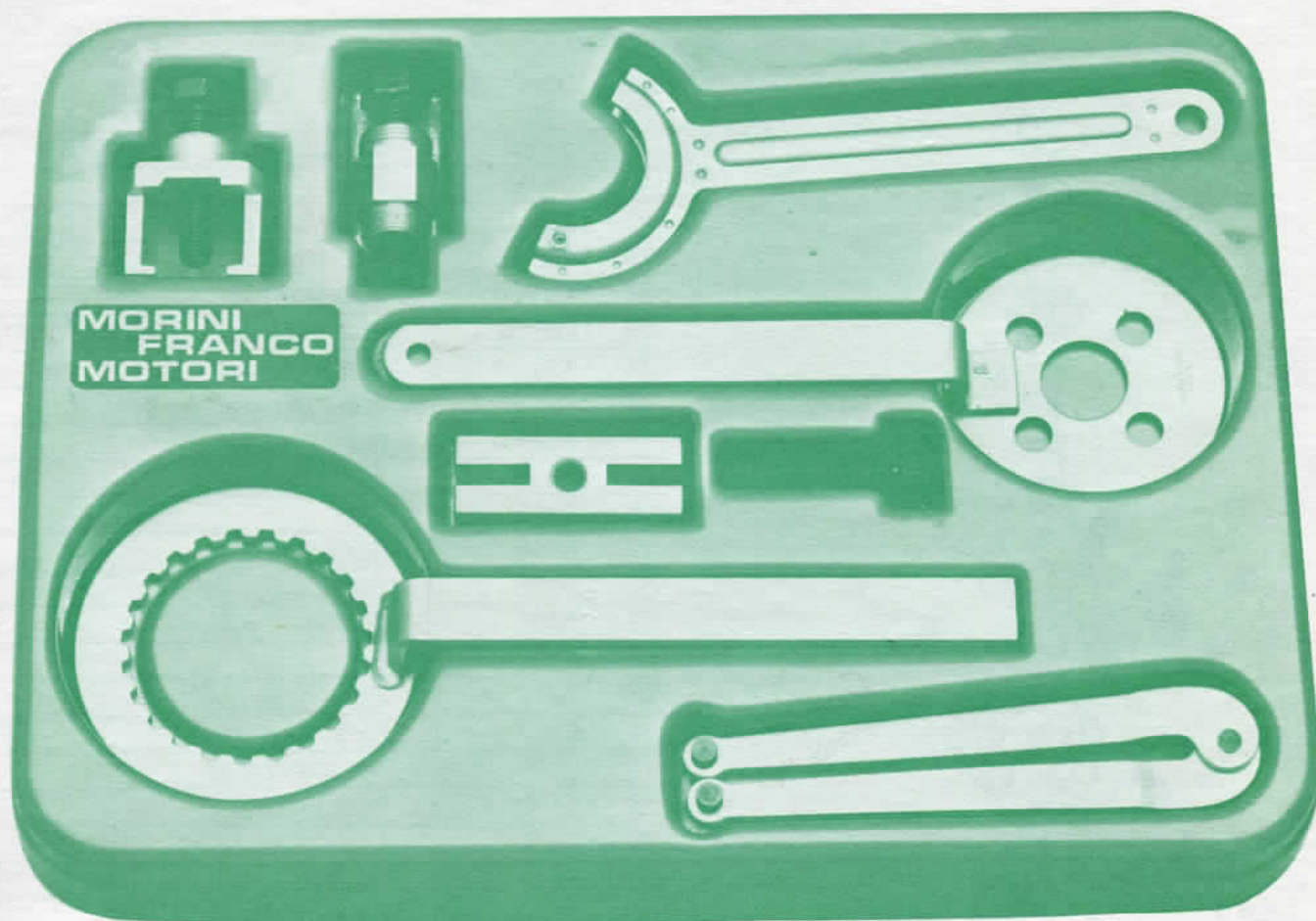
AUTHORIZED  
IMPORTERS

## SPECIAL TOOLS

(M-1 Engine with Reed Valve - 2% mixture)



WESTERN HEMISPHERE EXCLUSIVE  
IMPORTER FOR NEGRINI PRODUCTS



Part No.	Quantity Needed	Description
140500	1	Morini Tool Kit - Complete
140501	1	Flywheel Puller
140506	1	Clutch & Flywheel Holder
140508	1	Clutch & Transmission Puller



**MARINA MOBILI INC.**

Exclusive Importers of Negrini Products

ALL PRICES, SPECIFICATIONS AND AVAILABILITY SUBJECT TO CHANGE WITHOUT NOTICE.  
ALL PRICES ARE F.O.B. MARINA MOBILI WAREHOUSE. SEE DEALER TERMS & CONDITIONS.  
146 West Commercial Avenue • Moonachie, New Jersey 07074  
Tel. 201-438-5700

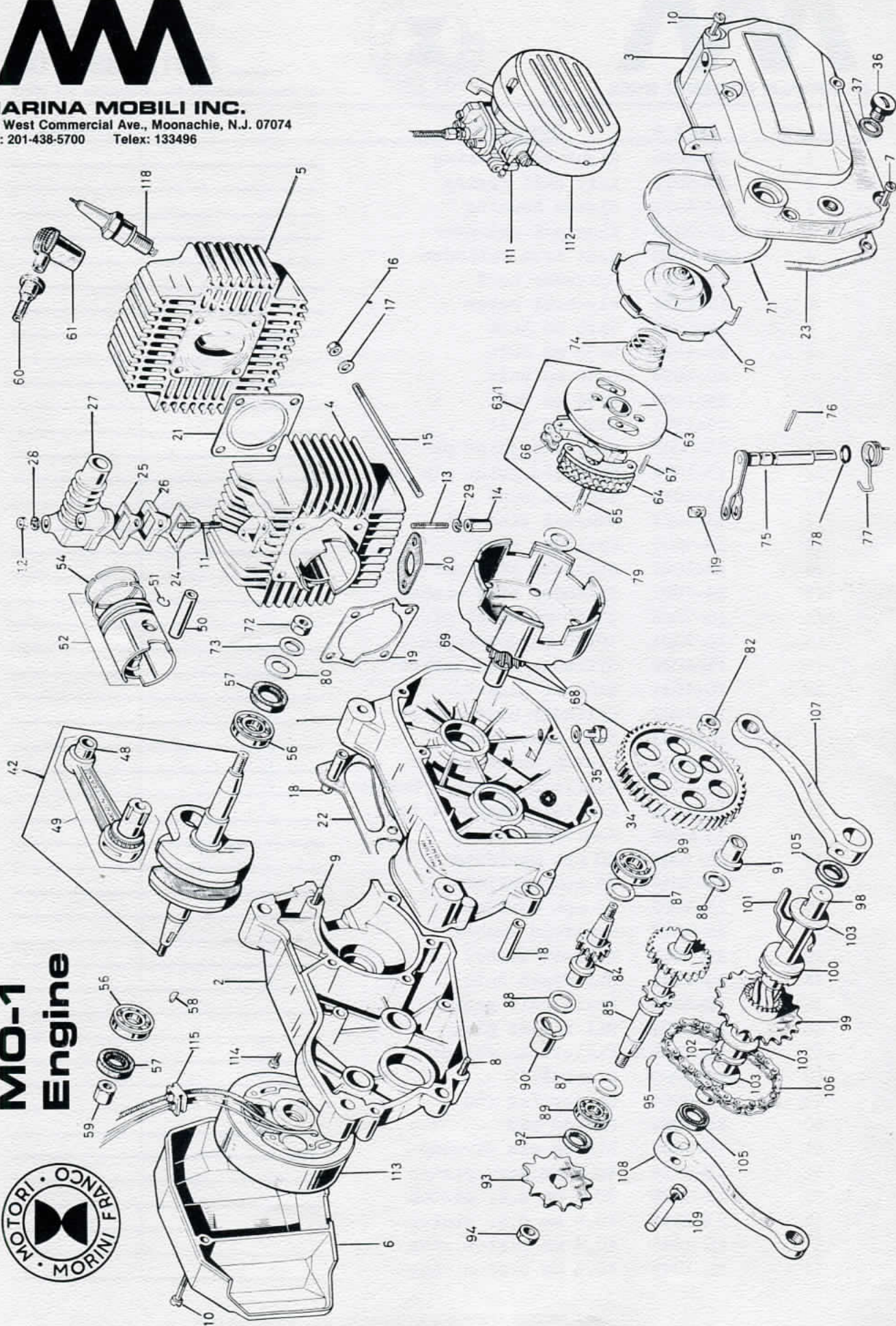
Telex # 133496/MMobili-Moon USA

PLEASE INQUIRE ABOUT QUANTITY DISCOUNTS.



**MARINA MOBILI INC.**  
146 West Commercial Ave., Moonachie, N.J. 07074  
Tel.: 201-438-5700 Telex: 133496

**MO-1  
Engine**





MARINA MOBILI INC.



Telex: 133496

Telephone: (201) 438-5700

146 West Commercial Ave., Moonachie, N.J. 07074

Diagram	Part #	Description	Retail
1	26-5016	Right half casing	
2	26-5017	Left half casing	
3	12-4075	Clutch housing	
4	12-2038	Aluminum cylinder	
4	12-2050	Cast iron cylinder	
5	27-5019	Cylinder head	
6	12-4074	Flywheel cover	
7	29-1986	6x25 mm bolt	
8	29-1988	6x35 mm bolt	
9	29-1989	6x40 mm bolt	
10	29-1990	6x45 mm bolt	
10	29-1991	6x50 mm bolt	
11	23-5003	Manifold joint pin	
12	13-1004	Manifold joint pin nut	
13	23-5014	Exhaust stud	
14	13-3023	Exhaust stud nut	
15	23-5001	Cylinder stud	
16	13-1001	Cylinder stud nut	
17	25-4001	Cylinder stud washer	
18	16-7005	10x40 mm dowel pin	
18	16-7001	10x30 mm dowel pin	
19	16-4030	Cylinder base gasket	
20	16-4031	Exhaust gasket	
21	16-4032	Cylinder head gasket	
22	16-4033	Semi case gasket	
23	16-4034	Clutch cover gasket	
24	16-4035	Manifold gasket - bottom	
25	16-4036	Manifold gasket - top	
26	13-6004	Manifold spacer	
27	25-1048	20 mph manifold	
27	25-1014	25 mph manifold	
27	25-1005	30 mph manifold	
28	25-4012	Manifold washer	
29	25-4013	Exhaust washer	
34	29-4132	Oil drain bolt	
35	16-4008	Drain bolt gasket	
36	27-3007	Oil filler plug	
37	16-4026	Filler cap gasket	
42	10-0009	Crankshaft	
49	11-0004	Connecting rod	
50	26-8001	Piston pin	
51	10-4001	Piston pin circlip	
52	23-0125	40.4 mm Std. piston	
52	23-0126	40.6 mm O.S. piston	
52	23-0126	40.8 mm O.S. piston	
54	26-1045	40.4 mm piston ring	
54	26-1046	40.6 mm piston ring	

(ALL PRICES ARE F.O.B. MARINA MOBILI WAREHOUSE)

ALL PRICES, SPECIFICATIONS AND AVAILABILITY SUBJECT TO CHANGE WITHOUT NOTICE





MARINA MOBILI INC.



Telex: 133496

Telephone: (201) 438-5700

146 West Commercial Ave., Moonachie, N.J. 07074

Diagram	Part #	Description	Retail
54	26-1046	40.8 mm piston ring	
56	12-6001	Crankshaft bearing	
57	10-6001	Crankshaft oil seal	
58	12-7025	Flywheel key	
59	13-3007	Flywheel nut	
60	16-3004	Spark plug protector	
61	23-7001	Spark plug cap	
63	20-0003	Clutch shoe plate	
63/1	20-0012	Complete clutch	
64	12-7020	Clutch shoe	
65	20-1033	Clutch shoe spring	
66	12-7021	Clutch shoe joint link	
67	25-7002	Clutch shoe pin	
68	27-0005	Clutch drum complete	
69	11-5010	Clutch drum bushing	
70	12-7022	Starting clutch plate	
71	10-4006	Lock ring	
72	13-1003	Clutch assembly nut	
73	25-4018	Flat washer	
74	20-1019	Clutch release spring	
75	19-0004	Clutch lever	
76	26-8014	Clutch lever pin	
77	20-1018	Clutch lever spring	
78	10-7002	Clutch "O" ring	
79	25-4005	Space washer	
80	25-4005	Space washer	
82	13-1003	Driven gear nut	
84	10-1028	Driven gear shaft	
85	10-1029	Secondary shaft pre 1/1/78	
85	10-1076	Secondary shaft after 1/78	
87	25-4005	Space washer	
88	25-4040	Space washer	
89	12-6002	Gear shaft ballbearing	
90	11-5002	Driven shaft bushing	
91	11-5003	Secondary shaft bushing	
92	10-6008	Oil seal	
93	23-2501	13 tooth gear	
93	23-2506	12 tooth gear	
94	13-1002	Nut for gear	
95	12-7002	Keyway for gear	
98	10-1020	Pedal shaft	
99	23-2507	19 tooth gear	
99	23-2543	17 tooth gear	
100	20-6001	Claw coupling	
101	20-1015	Claw coupling spring	
102	10-5005	Pedal shaft circlip	
103	25-4007	Pedal shaft washer	

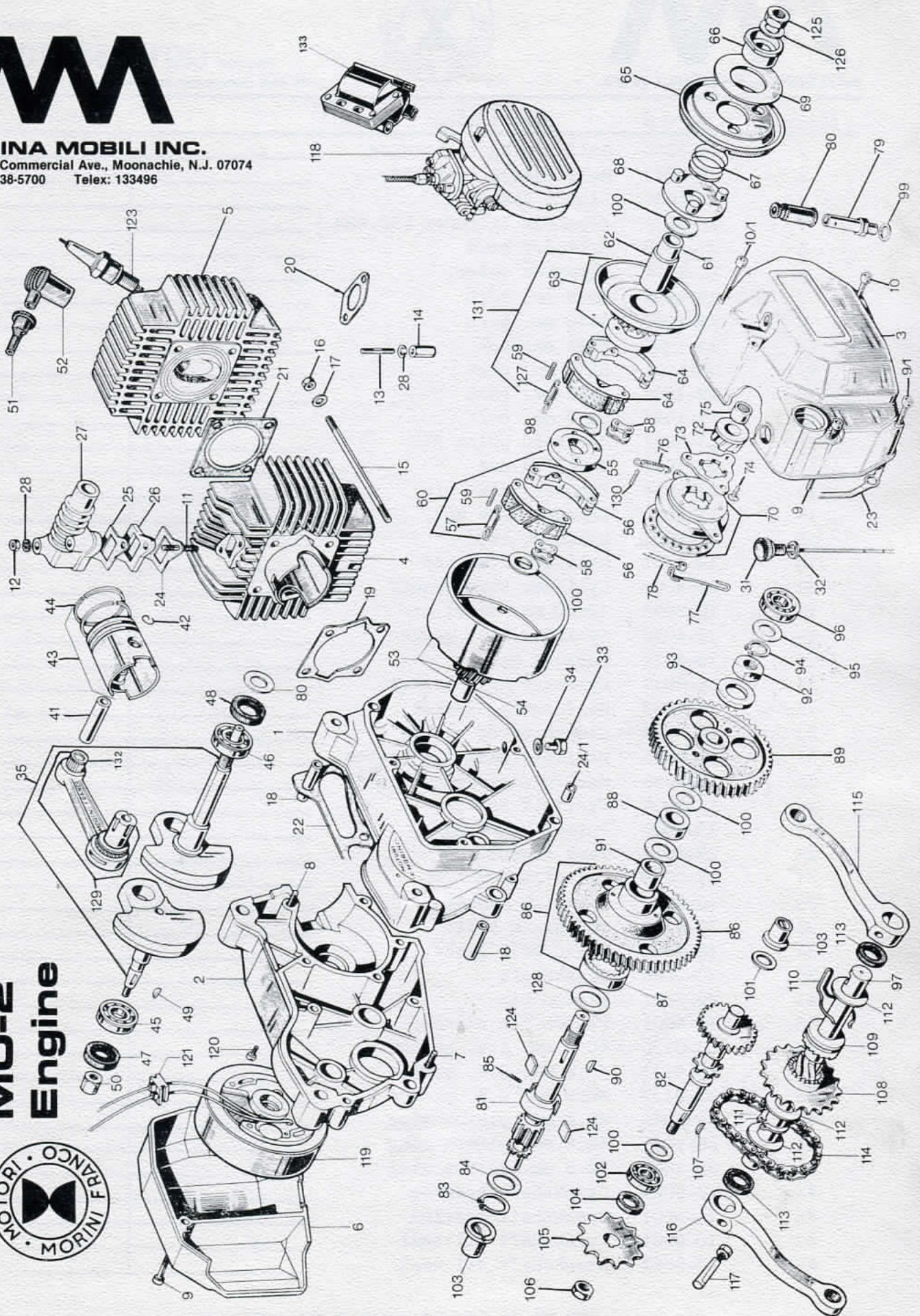
(ALL PRICES ARE F.O.B. MARINA MOBILI WAREHOUSE)  
ALL PRICES, SPECIFICATIONS AND AVAILABILITY SUBJECT TO CHANGE WITHOUT NOTICE





**MARINA MOBILI INC.**  
146 West Commercial Ave., Moonachie, N.J. 07074  
Tel.: 201-438-5700 Telex: 133496

**MO-2  
Engine**





MARINA MOBILI INC.



Telex: 133496

Telephone: (201) 438-5700

146 West Commercial Ave., Moonachie, N.J. 07074

Diagram	Part #	Description	Retail
1	26-5032	Half casing right side	
2	26-5017	Half casing left side	
3	12-4034	Clutch cover	
4	12-2038	Aluminum cylinder (40.4mm.)	
5	27-5019	Cylinder head	
6	12-4074	Flywheel cover	
7	29-1988	6x35 mm. bolt	
8	29-1989	6x40 mm. bolt	
9	29-1990	6x45 mm. bolt	
9/1	29-1991	6x50 mm. bolt	
10	29-1994	6x65 mm. bolt	
10/1	29-1995	6x70 mm. bolt	
11	23-5003	Manifold joint pin	
12	13-1004	Manifold nut	
13	23-5014	Exhaust joint pin	
14	13-3023	Exhaust stud nut	
15	23-5001	Cylinder stud	
16	13-1001	Cylinder stud nut	
17	25-4001	Cylinder stud washer	
18	16-7005	10x40 mm. dowel pin	
19	16-4030	Cylinder base gasket	
20	16-4031	Exhaust gasket	
21	16-4032	Cylinder head gasket	
22	16-4033	Half casing gasket	
23	16-4034	Clutch cover gasket	
24	16-4035	Manifold gasket - bottom	
25	16-4036	Manifold gasket - top	
26	13-6004	Manifold spacer	
27	25-1014	Intake manifold	
28	25-4012	Lock washer	
31	27-0009	Oil dipstick	
32	16-4026	Dipstick gasket	
33	29-4132	Oil drain bolt	
34	16-4008	Drain bolt gasket	
35	10-0046	Crankshaft	
41	26-8001	Piston pin	
42	10-4001	Piston pin circlip	
43	23-0130	40.4 mm. Std. piston	
43	23-0131	40.6 mm. O.S. piston	
43	23-0131	40.8 mm. O.S. piston	
44	26-1045	40.4 mm. piston ring	
44	26-1046	40.6 mm. piston ring	
44	26-1046	40.8 mm. piston ring	
45	12-6001	Crankshaft bearing	
46	12-6007	Crankshaft bearing	
47	10-6001	Crankshaft oil seal	
48	10-6012	Crankshaft oil seal	

(ALL PRICES ARE F.O.B. MARINA MOBILI WAREHOUSE)

ALL PRICES, SPECIFICATIONS AND AVAILABILITY SUBJECT TO CHANGE WITHOUT NOTICE



MARINA MOBILI INC.



Telex: 133496

Telephone: (201) 438-5700

146 West Commercial Ave., Moonachie, N.J. 07074

Diagram	Part #	Description	Retail
49	12-7025	Flywheel key	
50	13-3007	Flywheel nut	
51	16-3004	Spark plug protector	
52	23-7001	Spark plug cap	
53	18-0001	Clutch drum complete	
54	11-5007	Clutch drum bushing	
55	20-6004	Clutch spacer	
56	12-7012	Clutch shoe - 1st gear	
57	20-1033	Clutch shoe spring	
58	12-7021	Clutch shoe joint link	
59	25-7002	Clutch shoe pin	
60	20-0007	1st gear clutch complete	
61	11-5016	Bushing	
62	11-5013	Transmission bushing	
63	16-0001	2nd gear transmission plate	
64	12-7014	Clutch shoe - 2nd gear	
65	13-0001	Starting clutch plate	
66	27-1004	Starting clutch spacer	
67	20-1016	Starting clutch spring	
68	13-5015	Disc spacer	
N/S	16-3026	Disc spacer sleeve	
69	25-4028	Starting clutch washer	
70	16-0003	Thrust block	
72	23-1027	Spiral pawl	
73	23-7026	Stop plate	
74	29-6025	Stop plate screw	
75	16-1008	Roller bearing	
76	20-1036	Clutch return spring	
77	16-7010	Clutch release lever	
78	12-7061	Starter cable	
79	13-6036	Starter cable adjustor	
80	16-3010	Protector for adjustor	
81	10-1036	Primary gear shaft	
82	10-1029	Secondary shaft pre 1/1/78	
82	10-1076	Secondary shaft after 1/78	
83	10-5009	Snap ring	
84	25-4043	Main shaft space washer	
85	20-1037	Main shaft spring	
86	12-0025	1st gear	
88	13-6012	Main gear spacer	
89	12-7029	2nd gear	
90	12-7002	Main gear keyway	
91	11-5017	1st gear bushing	
92	13-3017	Gear shaft nut	
93	25-4031	Main shaft washer	
94	10-5006	Main shaft circlip	
95	25-4026	Space washer	

(ALL PRICES ARE F.O.B. MARINA MOBILI WAREHOUSE)  
ALL PRICES, SPECIFICATIONS AND AVAILABILITY SUBJECT TO CHANGE WITHOUT NOTICE



**MARINA MOBILI INC.**



Telex: 133496

Telephone: **(201) 438-5700**  
 146 West Commercial Ave., Moonachie, N.J. 07074

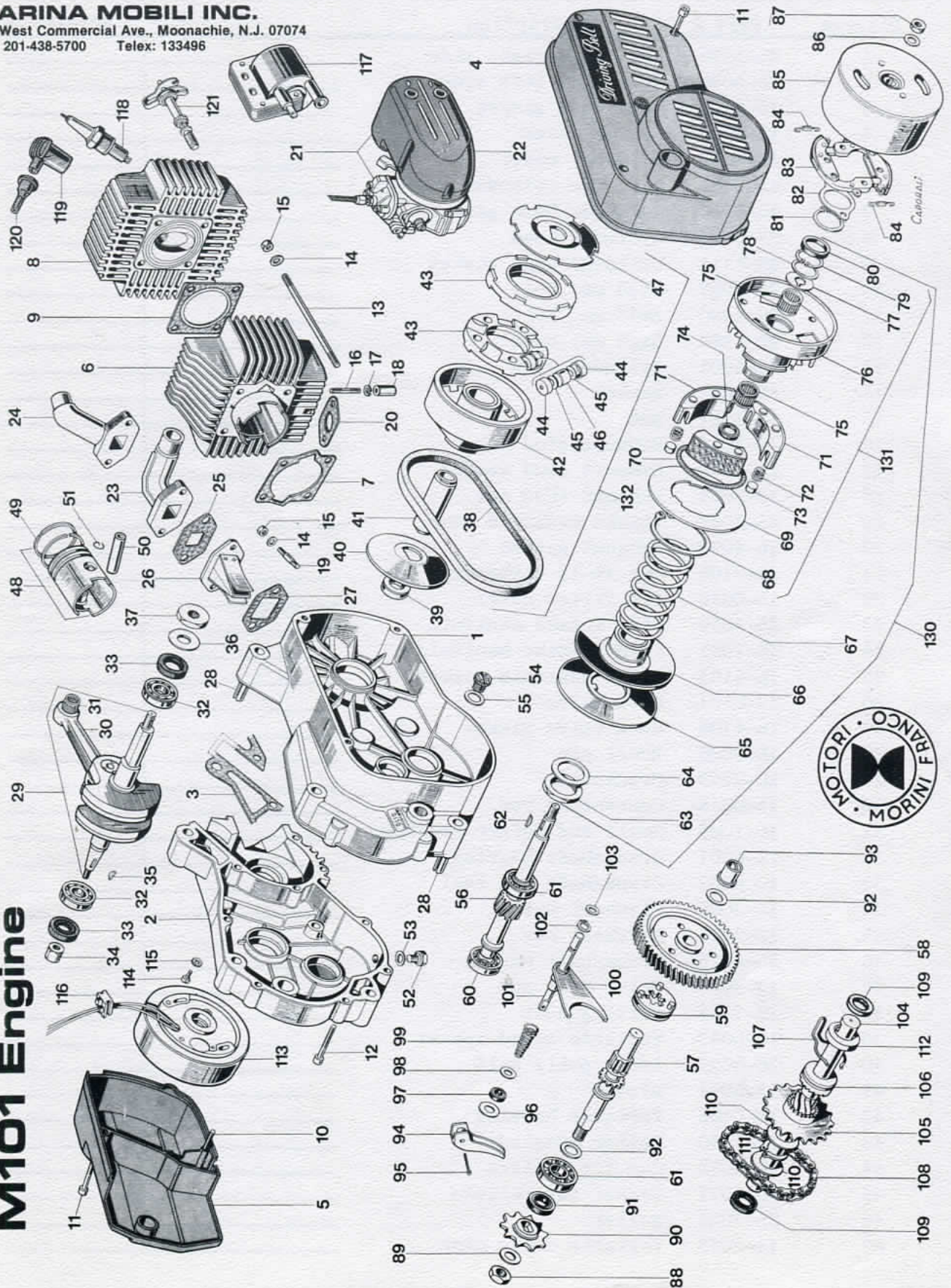
Diagram	Part #	Description	Retail
96	12-6003	Ballbearing	
97	10-1035	Pedal shaft	
98	25-4030	Spacer for clutch	
99	16-4101	Cable adjustor gasket	
100	25-4005	Space washer	
101	25-4040	Space washer	
102	12-6002	Secondary shaft bearings	
103	11-5002	Primary shaft bushing	
104	10-6003	Oil seal	
105	23-2506	12 tooth gear	
105	23-2501	13 tooth gear	
106	13-1002	Nut for gear	
107	12-7002	Keyway for gear	
108	23-2543	17 tooth gear	
108	23-2507	19 tooth gear	
109	20-6001	Claw coupling	
110	20-1015	Claw coupling spring	
111	10-5005	Pedal shaft circlip	
112	25-4007	Pedal shaft washer	
113	10-6004	Pedal shaft oil seal	
114	12-7016	Starting chain	
115	PA-150	Pedal crank set	
116			
117	12-7017	Crank pin	
118	12-0012	Carburetor SHA 14-12	
119	29-0034	Dansi magneto # 101286	
119	29-0045	Dansi magneto # 101765	
120	29-6022	Stator plate screw	
121	16-3008	Magneto wire grommet	
123	W7D	Spark plug - Bosch	
124	26-8035	Gear shaft pawl	
125	13-1003	Clutch plate nut	
126	25-4018	Clutch plate washer	
127	20-1017	Clutch shoe spring	
128	25-4041	Space washer	
129	11-0015	Connecting rod	
130	26-8038	Return spring pin	
131	16-0002	2nd gear clutch complete	
132	16-1005	Wrist pin race	
N/S	26-0508	Oil seal set	
N/S	26-0606	Engine gasket set	
		M02 engine complete	

(ALL PRICES ARE F.O.B. MARINA MOBILI WAREHOUSE)  
 ALL PRICES, SPECIFICATIONS AND AVAILABILITY SUBJECT TO CHANGE WITHOUT NOTICE



**MARINA MOBILI INC.**  
146 West Commercial Ave., Moonachie, N.J. 07074  
Tel.: 201-438-5700 Telex: 133496

# M101 Engine





MARINA MOBILI INC.



Telex: 133496

Telephone: (201) 438-5700

146 West Commercial Ave., Moonachie, N.J. 07074

Diagram	Part #	Description	Retail
1	26-5095	Half case right side	
2	26-5096	Half case left side	
3	16-4108	Half case gasket	
4	12-4088	Clutch cover	
5	12-4089	Flywheel cover	
6	12-2062	Cst. Iron cylinder (40.4mm.)	
7	16-4030	Cylinder base gasket	
8	27-5027	Cylinder head	
9	16-4111	Cylinder head gasket	
10	29-1987	6x30 mm. bolt	
11	29-1990	6x45 mm. bolt	
12	29-1988	6x35 mm. bolt	
13	23-5001	Cylinder stud	
14	25-4001	Washer	
15	13-1001	Nut	
16	23-5014	Exhaust stud	
17	25-4013	Exhaust stud washer	
18	13-3023	Exhaust stud nut	
19	23-5021	Intake manifold stud	
20	16-4093	Exhaust gasket	
21	12-0108	SHA 14-12 carburetor	
22	15-0030	Air filter cover	
23	25-1050	Side intake manifold	
24	25-1051	Front intake manifold	
25	16-4103	Upper manifold gasket	
26	29-0501	Reed valve	
27	16-4106	Reed valve gasket	
28	16-7005	Dowel pin	
29	10-0049	Crankshaft	
30	11-0015	Connecting rod	
31	16-1005	Small end roller bearing	
32	12-6001	Crankshaft bearing	
33	10-6001	Crankshaft oil seal	
34	13-3007	Flywheel nut	
35	12-7025	Flywheel key	
36	25-4075	Crankshaft washer	
37	13-3027	Drive gear nut	
38	12-7144	Driving belt	
39	13-6047	Variable speed spacer	
40	26-8073	Inner pully half	
41	13-6044	Sleeve	
42	12-0106	Variator housing	
43	12-7140	Roller housing	
44	26-8072	Cap for rollers	
45	25-4077	Washer for rollers	
46	25-7035	Roller	
47	13-5035	Variable drive disc	

(ALL PRICES ARE F.O.B. MARINA MOBILI WAREHOUSE)

ALL PRICES, SPECIFICATIONS AND AVAILABILITY SUBJECT TO CHANGE WITHOUT NOTICE





**MARINA MOBILI INC.**



Telex: 133496

Telephone: **(201) 438-5700**  
146 West Commercial Ave., Moonachie, N.J. 07074

Diagram	Part #	Description	Retail
48	23-0136	40.4 mm. piston complete	
48	23-0137	40.6 mm. piston complete	
48	23-0137	40.8 mm. piston complete	
49	26-1045	40.4 mm. piston ring	
49	26-1046	40.6 mm. piston ring	
49	26-1046	40.8 mm. piston ring	
50	26-8001	Piston pin	
51	10-4001	Circlip	
52	29-4132	Oil drain bolt	
53	16-4008	Drain bolt gasket	
54	27-3007	Oil filler plug	
55	16-4026	Filler plug gasket	
56	10-1091	Primary gear shaft	
57	10-1098	Main gear shaft	
58	18-1143	Main gear	
59	18-4024	Sliding clutch	
60	12-6003	Primary shaft bearing	
61	12-6002	Bearing for shafts	
62	12-7002	Woodruff key	
63	13-3026	Pulley assembly nut	
64	25-4076	Shim	
65	26-8071	Inner pulley half	
66	26-8070	Outer pulley half	
67	20-1075	Clutch & pulley spring	
68	10-5028	Snap ring	
69	13-5037	Clutch disc	
70	20-1076	Clutch pad spring	
71	20-6030	Friction clutch pad	
72	20-1083	Thrust plate spring	
73	23-7053	Thrust plate pad	
74	10-6021	Oil seal	
75	16-1019	Roller bearing	
76	13-5034	Main clutch housing	
77	25-4073	Shim	
78	25-4074	Washer	
79	10-5023	Snap ring	
80	10-6020	Oil seal	
81	10-5024	Snap ring	
82	20-1077	Starting clutch spacer	
83	20-6029	Starting clutch	
84	20-1082	Starting clutch spring	
85	12-7141	Clutch drum	
86	25-4023	Washer	
87	13-1006	Nut for clutch assembly	
88	13-1002	Chain sprocket nut	
89	25-4002	Chain sprocket washer	
90	23-2550	Chain sprocket	

(ALL PRICES ARE F.O.B. MARINA MOBILI WAREHOUSE)  
ALL PRICES, SPECIFICATIONS AND AVAILABILITY SUBJECT TO CHANGE WITHOUT NOTICE



**MARINA MOBILI INC.**



Telex: 133496

Telephone: **(201) 438-5700**  
146 West Commercial Ave., Moonachie, N.J. 07074

Diagram	Part #	Description	Retail
91	10-6008	Oil seal	
92	25-4047	Washer for gear shaft	
93	11-5003	Bushing for gear shaft	
94	19-1046	Disengagement lever	
95	12-7145	Cotter pin	
96	25-4072	Washer	
97	10-6019	Oil seal	
98	25-4038	Washer	
99	20-1080	Disengagement shaft spring	
100	15-4017	Disengagement fork	
101	10-7530	Disengagement fork shaft	
102	10-5011	Snap ring for shaft	
103	13-6046	Disengagement shaft sleeve	
104	10-1093	Pedal shaft	
105	23-2547	Pedal shaft sprocket	
106	20-6001	Primary drive hub	
107	20-1015	Pedal shaft spring	
108	12-7142	Pedal shaft chain	
109	10-6004	Pedal shaft oil seal	
110	25-4007	Pedal shaft washer	
111	10-5005	Pedal shaft clip	
112	13-6043	Pedal shaft spacer	
113	29-0053	Flywheel magneto	
114	29-6022	Magneto back plate screw	
115	25-4070	Magneto back plate washer	
116	16-3022	Magneto wire grommet	
117	H-79A	Bosch high tension coil	
	H-79B	Dansi high tension coil	
118	W7D	Spark plug - Bosch	
119	23-7001	Spark plug cap	
120	16-3004	Sleeve for plug cap	
121	13-0003	Decompression valve	
130	15-0032	Clutch & pulley assembly	
131	15-0031	Centrifugal clutch	
132	29-0502	Variable speed drive unit	
N/S	26-0612	Engine gasket set	
N/S	26-0514	Oil seal set	
		M101 Engine complete	

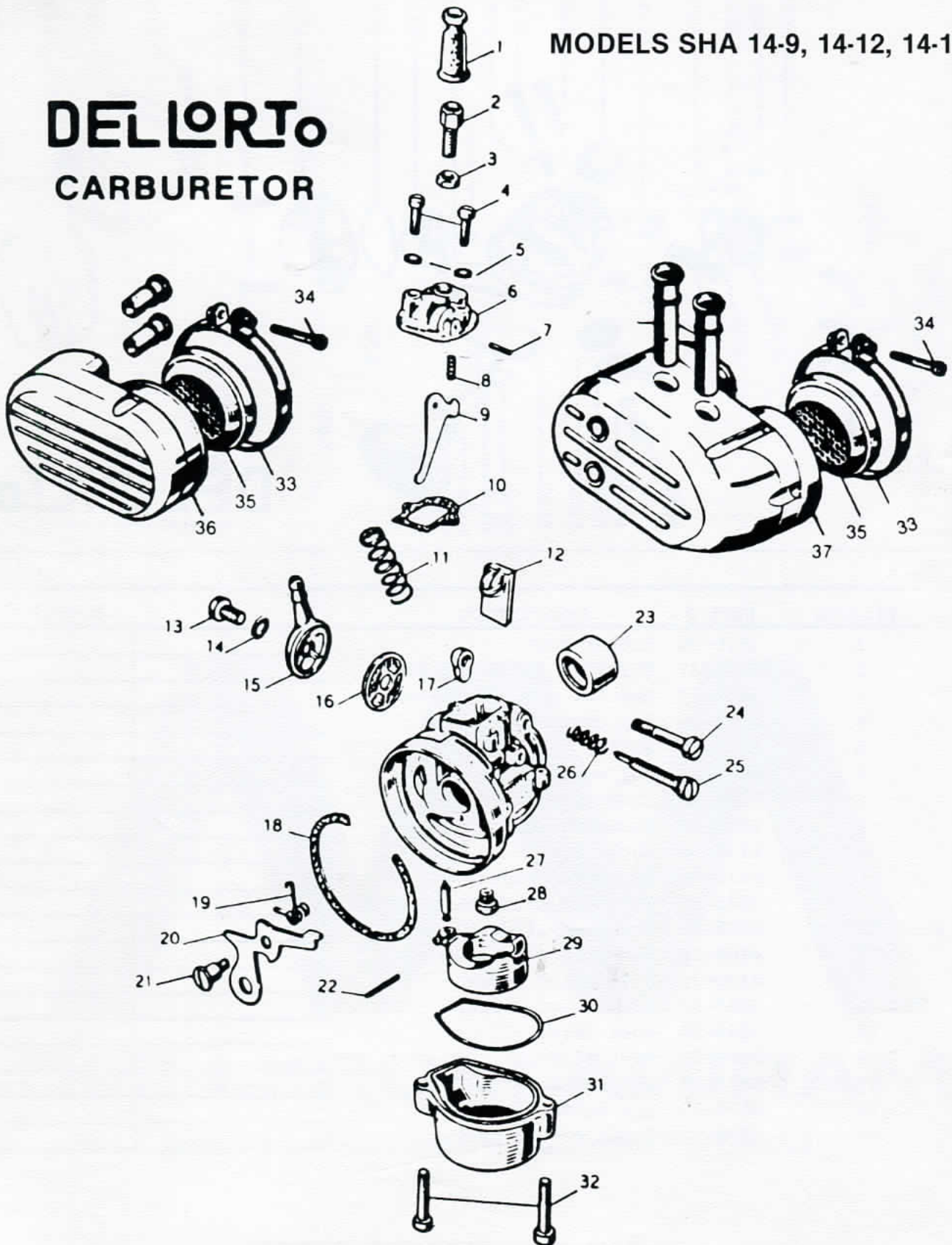


**MARINA MOBILI INC.**  
IMPORTERS and DISTRIBUTORS  
ACCESSORIES, MOPEDS, PARTS & MOTORS

146 West Commercial Ave., Moonachie, NJ 07074 • USA  
(201) 438-5700 Telex: 133496

# DELLORTO CARBURETOR

MODELS SHA 14-9, 14-12, 14-14



(ALL PRICES ARE F.O.B. MARINA MOBILI WAREHOUSE)  
ALL PRICES, SPECIFICATIONS AND AVAILABILITY SUBJECT TO CHANGE WITHOUT NOTICE

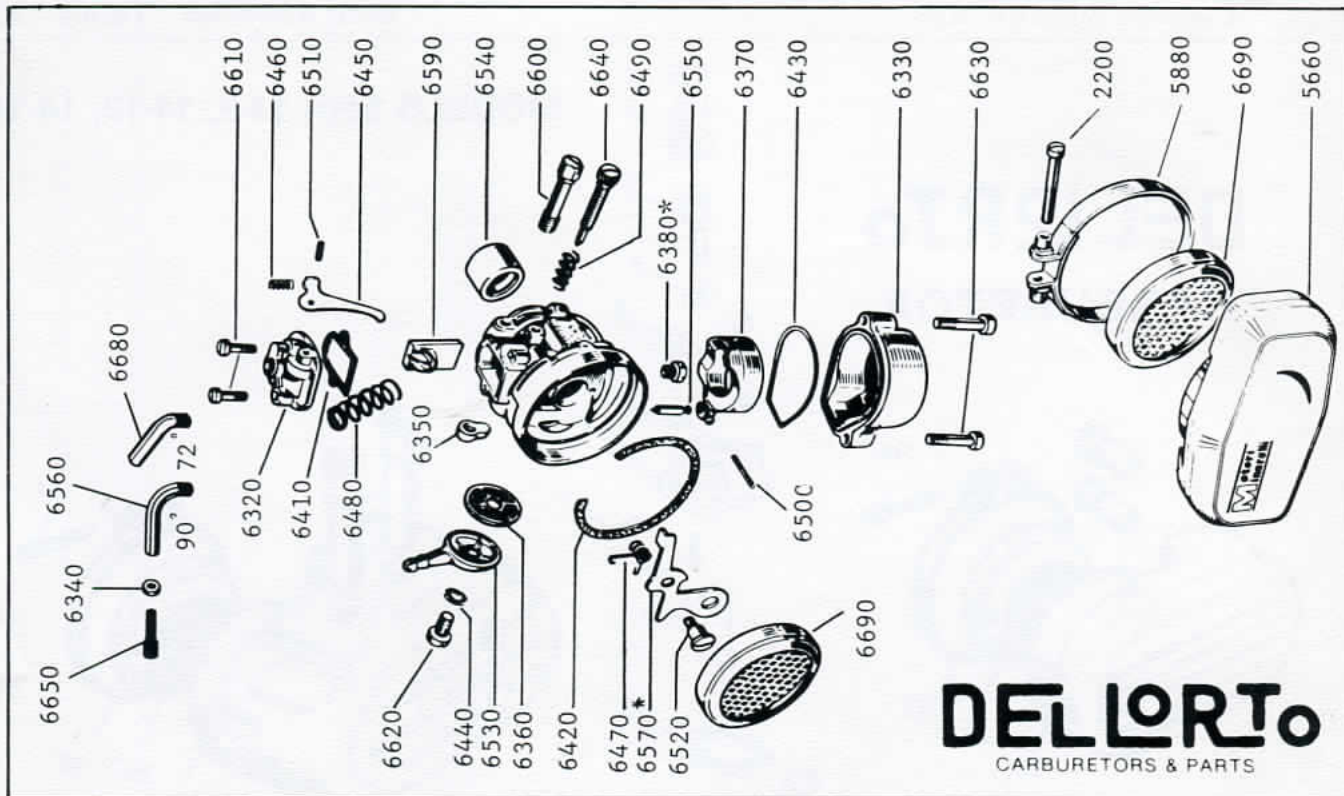
DEL-1



**MARINA MOBILI INC.**  
IMPORTERS and DISTRIBUTORS  
ACCESSORIES, MOPEDS, PARTS & MOTORS

**DELLORTO**  
CARBURETORS & PARTS

(201) 438-5700



**DELLORTO**  
CARBURETORS & PARTS

Diagram	Part #	Description	Retail
1	1476-06	Rubber boot	
2	1104-37	Throttle cable adjustor	
3	1691-27	Nut for cable adjustor	
4	3318-36	Top cover bolt	
5	5011-23	Washer	
6	6110-53	Top cover	
7	6115-22	Choke lever pin	
8	6259-61	Choke release spring	
9	6112-26	Choke lever	
10	6111-30	Top cover gasket	
11	3346-61	Throttle slide ret. spring	
12	6108-64	Throttle slide (25 mph)	
12	6108-2X	Throttle slide (20 mph)	
13	4190-36	Fuel inlet screw	
14	3385-30	Fuel inlet washer	
15	9249-38	Fuel inlet	
16	6109-29	Fuel filter	
17	6304-27	Nut for mounting bolt	
18	6159-30	Air filter gasket	
19	7179-61	Choke return spring	

(ALL PRICES ARE F.O.B. MARINA MOBILI WAREHOUSE)  
ALL PRICES, SPECIFICATIONS AND AVAILABILITY SUBJECT TO CHANGE WITHOUT NOTICE

**MM**  
**MARINA MOBILI, INC.**

146 West Commercial Avenue  
 P.O. Box 347  
 Moonachie, N.J. 07074-1794  
 U.S.A.  
 Telex 133496 · MMobili Moon

**Carburetor  
 Dellorto  
 Sha 12-7, 12-10, 12-12**

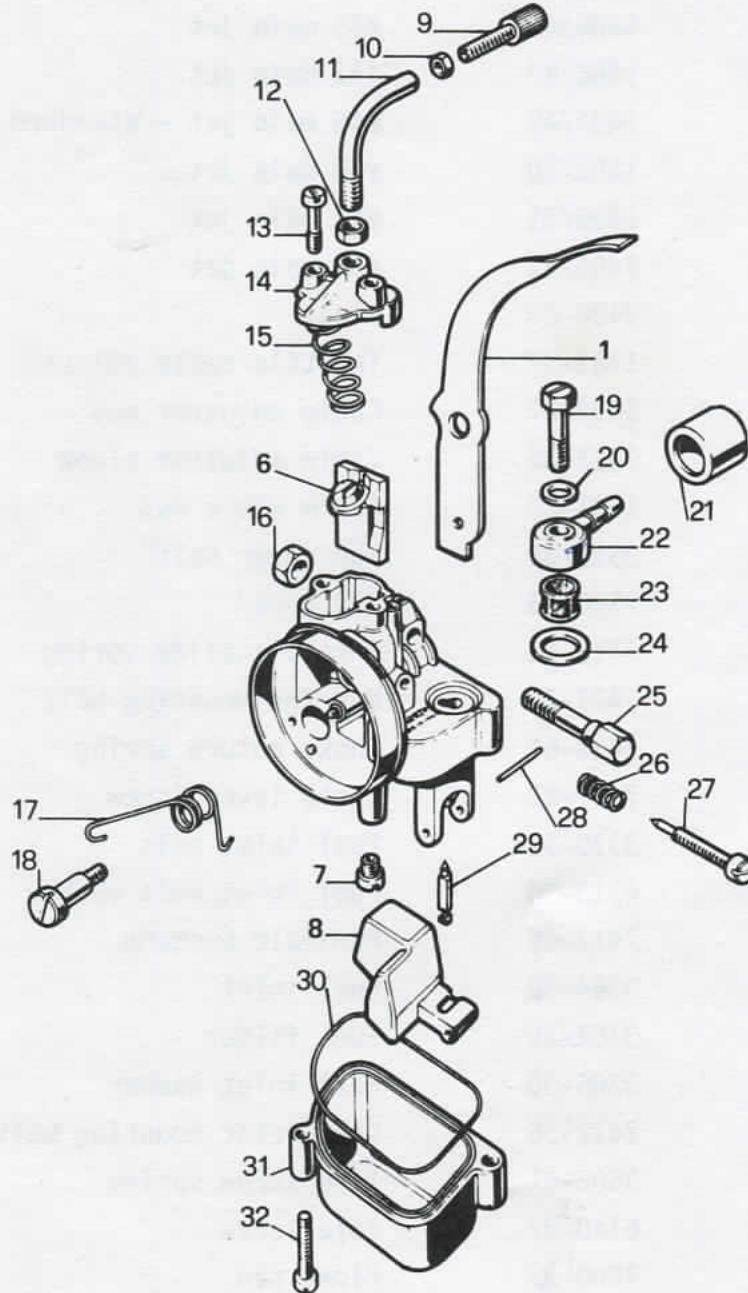


DIAGRAM #

PART #

DESCRIPTION

1  
6

1877  
7406-64  
7405-64

Complete carburetor SHA 12-12  
Choke lever  
Throttle slide

**MMI (201) 438-5700**

Rev. 6/84

185-05

**Carburetor  
Dellorto  
Sha 12-9, 12-10, 12-12**



146 West Commercial Avenue  
P.O. Box 347  
Moonachie, N.J. 07074-1794  
U.S.A.  
Telex 133496 - MMobili Moon

<u>DIAGRAM #</u>	<u>PART #</u>	<u>DESCRIPTION</u>
7	1486/45	#45 main jet
	1486/47	#47 main jet
	1486/49	#49 main jet - standard
	1486/50	#50 main jet
	1486/51	#51 main jet
	1486/52	#52 main jet
8	7420-80	Float
9	1481-37	Throttle cable adjustor
10	1692-27	Cable adjustor nut
11	7423-35	Cable adjustor elbow
12	1691-27	Cable elbow nut
13	3318-36	Top cover bolt
14	7350-53	Top cover
15	7413-61	Throttle slide spring
16	7427-27	Nut for mounting bolt
17	7414-61	Choke return spring
18	7407-22	Choke lever screw
19	3370-36	Fuel inlet bolt
20	4713-30	Fuel inlet bolt washer
21	7417-62	Manifold bushing
22	3364-38	Fuel inlet
23	3362-29	Fuel filter
24	3386-30	Fuel inlet washer
25	7412-36	Carburetor mounting bolt
26	3606-61	Idle screw spring
27	6140-37	Idle screw
28	4560-22	Float pin
29	2838-05	Float needle
30	6123-30	Float bowl seal
31	7349-96	Float bowl
32	3598-36	Float bowl bolt

**MM**  
**MARINA MOBILI, INC.**

146 West Commercial Avenue  
 P.O. Box 347  
 Moonachie, N.J. 07074-1794  
 U.S.A.  
 Telex 133496 - M Mobili Moon

**Carburetor  
 Dellorto  
 Shb 19-19 B**

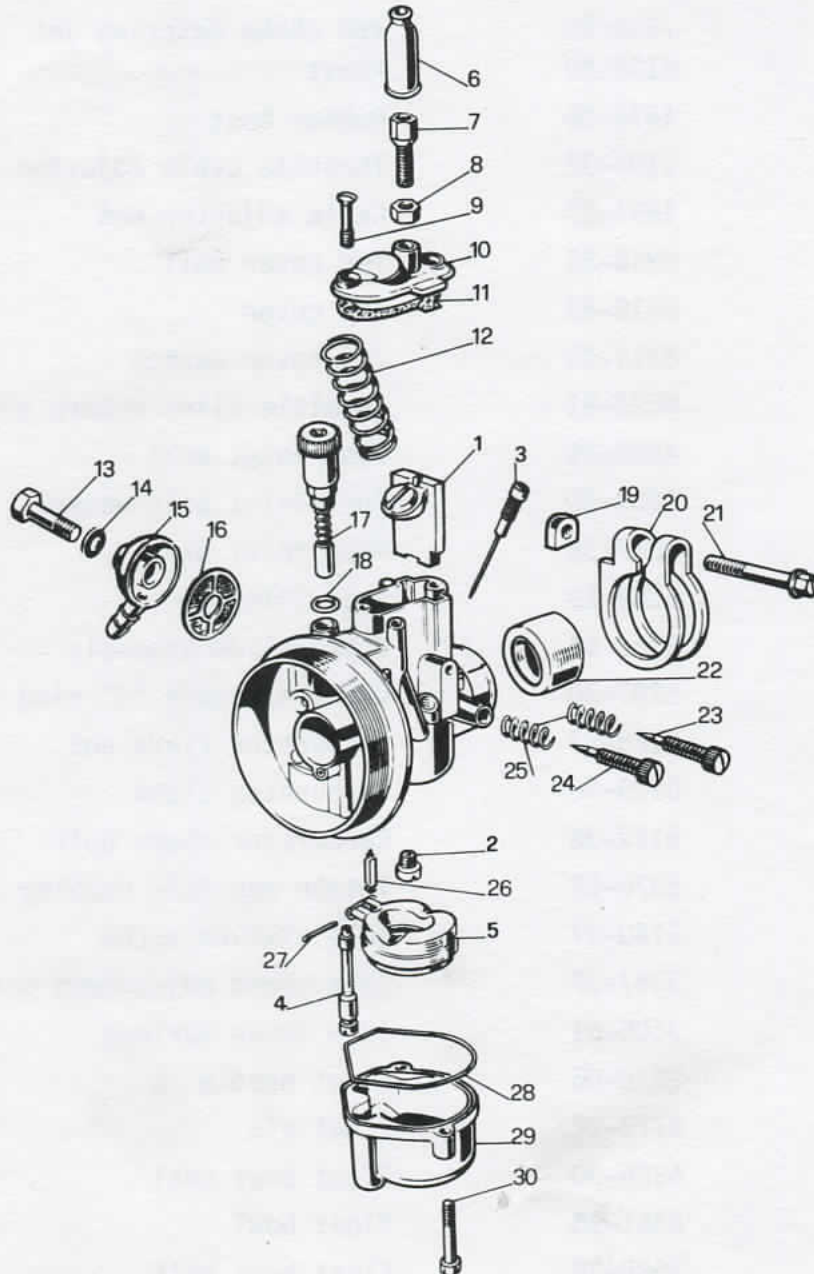


DIAGRAM #

PART #

DESCRIPTION

	828	Complete carburetor SHB 19-19 B
1	7938-64	Throttle slide
2	1486/102	#102 main jet
3	8072/40	#40 Idle jet

**MMI (201) 438-5700**

Rev. 6/84

185-07

**Carburetor  
Dellorto  
Shb 19-19 B**



146 West Commercial Avenue  
P.O. Box 347  
Moonachie, N.J. 07074-1794  
U.S.A.  
Telex 133496 - MMobili Moon

<u>DIAGRAM #</u>	<u>PART #</u>	<u>DESCRIPTION</u>
4	7746/60	#60 choke metering jet
5	6122-80	Float
6	1476-06	Rubber boot
7	1104-37	Throttle cable adjustor
8	1691-27	Cable adjustor nut
9	3318-36	Top cover bolt
10	8218-53	Top cover
11	8219-30	Top cover gasket
12	8033-61	Throttle slide return spring
13	4568-36	Fuel inlet bolt
14	4052-30	Fuel inlet bolt washer
15	6517-38	Fuel inlet banjo
16	6109-29	Fuel filter
17	8366-64	Choke slide assembly
18	8297-30	Choke assembly "O" ring
19	8128-27	Carburetor clamp nut
20	8129-50	Carburetor clamp
21	8127-36	Carburetor clamp bolt
22	8376-62	Intake manifold bushing
23	6140-37	Idle mixture screw
24	3357-37	Idle speed adjustment screw
25	3606-61	Idle screw springs
26	2838-05	Float needle
27	8773-22	Float pin
28	6226-30	Float bowl seal
29	8361-96	Float bowl
30	3598-36	Float bowl bolt